

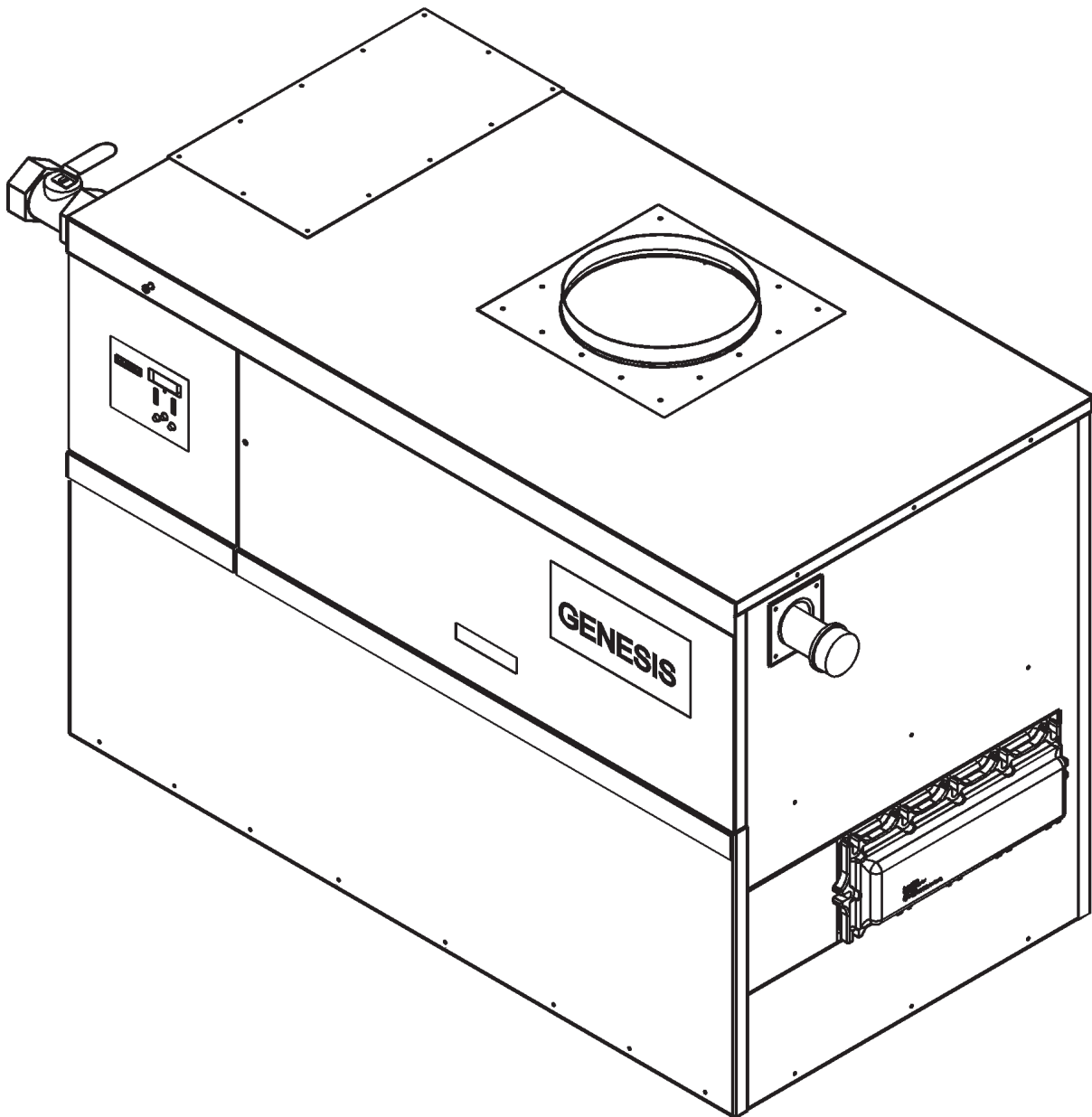
# A.O. Smith

## Water Heaters

# GAS



**GAS-FIRED COMMERCIAL  
REPLACEMENT PARTS LIST**  
COPPER BOILERS FOR HYDRONIC  
HEATING & HOT WATER SUPPLY  
MODELS GB/GW: 1000, 1300,  
1500, 1850, 2100, 2500  
SERIES: 400 - 405



**A.O. SMITH WATER PRODUCTS COMPANY**  
500 TENNESSEE WALTZ PARKWAY, ASHLAND CITY, TN 37015  
Phone: 1-800-433-2545 • Fax: 1-800-433-2515  
website: [www.hotwater.com/parts](http://www.hotwater.com/parts) • email: [parts@hotwater.com](mailto:parts@hotwater.com)

Item	Qty.	Description	GB/GW 1000	GB/GW 1300	GB/GW 1500	GB/GW 1850	GB/GW 2100	GB/GW 2500
<b>COMBUSTION CHAMBER ASSEMBLY COMPONENTS:</b>								
1	1	Base/Leg Assembly	210702	210702-1	210702-2	210702-3	210702-4	210702-5
2	( )	Blower Assembly, Large	211096(1)	211096(2)	211096(2)	211096(3)	211096(3)	211096(3)
3	1	Blower Assembly, Small	211097					
4	( )	Bracket, Gas Manifold	210780(3)	210780(3)	210780(3)	210780(4)	210780(5)	210780(7)
5	( )	Burner, 60mm	210757(8)	210757(11)	210757(13)	210757(16)	210757(18)	210757(22)
6	( )	Burner Assembly	211306(2)	211306(2)	211306(2)	211306(3)	211306(3)	211306(3)
*7	( )	Clamp, Hose	211360(2)	211360(2)	211360(2)	211360(3)	211360(3)	211360(3)
8	1	Control Panel	210740	210740-1	210740-2	210740-3	210740-4	210740-5
9	( )	Flame Sensor	192682(3)	192682(3)	192682(3)	192682(4)	192682(4)	192682(4)
10	1	Fluebox Assembly	211290	211290-1	211290-1	211290-2	211290-2	211290-3
11	( )	Gas Train, 3 Burner - Nat.	211082(2)	211082(1)			211082(2)	211082(4)
12	( )	Gas Train, 3 Burner - Prop.	211082-1(2)	211082-1(1)			211082-1(2)	211082-1(4)
13	( )	Gas Train, 4 & 5 Burner - Nat.	211081(1)	211081(2)	211081(3)	211081(4)	211081(3)	211081(3)
14	( )	Gas Train, 4 & 5 Burner - Prop.	211081-1(1)	211081-1(2)	211081-1(3)	211081-1(4)	211081-1(3)	211081-1(3)
15	( )	Gasket, Blower	210775(1)	210775(2)	210775(2)	210775(3)	210775(3)	210775(3)
16	1	Gasket, Blower	210776					
17	( )	Gasket, Burner	210744	210744	210744	210744	210744	210744
18	1	Gasket, Divider Insert		211363	211363	211363	211363	
19	2	Gasket, Heat Exchanger	210779	210779	210779	210779	210779	210779
20	( )	Gasket, Igniter	210078(1)	210078(2)	210078(2)	210078(2)	210078(2)	210078(2)
21	2	Gasket, Observation Port	211297	211297	211297	211297	211297	211297
22	1	Heat Exchgr. Ass'y (GB ONLY)	210731	210731-1	210731-2	210731-3	210731-4	210731-5
22A	1	Heat Exchgr. Ass'y Brass(GB ONLY)	211494	211494-1	211494-2	211494-3	211494-4	211494-5
23	1	Heat Exchgr. Ass'y (GW ONLY)	210750	210750-1	210750-2	210750-3	210750-4	210750-5
23A	1	Heat Exchgr. Ass'y Brass(GW ONLY)	211582	211582-1	211582-2	211582-3	211582-4	211582-5
24	( )	Igniter	192334(1)	192334(2)	192334(2)	192334(2)	192334(2)	192334(2)
25	1	<b>Insulation Assembly</b>						
A	1	Insulation, Bottom Mate		210724	210724-1	210724-2	210724-3	210724-4
B	1	Insulation, Bottom Panel	210746	210723	210723	210723	210723	210723
C	1	Insulation, Front Mate		210722	210722-1	210722-2	210722-3	210722-4
D	1	Insulation, Front Panel	210744	210721	210721	210721	210795	210794
E	1	Insulation, Rear Mate		210726	210726-1	210726-2	210726-3	210726-4
F	1	Insulation, Rear Panel	210745	210725	210725	210725	210725	210725
G	1	Insulation, Side Panel	210727	210727	210727	210727	210727	210727
H	1	Insulation, Side Panel	210727-1	210727-1	210727-1	210727-1	210727-1	210727-1
I	1	Insulation, Side Panel	210728-6	210728-6	210728-7	210728-9	210728-10	210728-11
J	1	Insulation, Side Panel	210728-12	210728-1	210728-5	210728-2	210728-4	210728-8
K	1	Insulation, Top Panel	210743	210743-1	210743-1	210743-2	210743-2	210743-3
26	2	Insulation, Fluebox Outer	211411	211411-1	211411-1	211411-2	211411-2	211411-3
27	1	Main Gas Manifold	210756	210756-1	210756-2	210756-3	210756-4	210756-5
28	( )	Man. Assembly, 3 Burner	210755(1)				210755(2)	210755(2)
29	( )	Man. Assembly, 3 Burner	210761	210761				210761(2)
30	( )	Man. Assembly, 4 Burner	210754(1)			210754(1)		210754(2)
31	( )	Man. Assembly, 5 Burner		210763(2)	210763(3)	210763(3)	210763(3)	210763(1)
32	( )	Nut, Hex Serrated Flange	210226(8)	210226(8)	210226(8)	210226(12)	210226(12)	210226(12)
33	( )	Nut, Locking	210174(6)	210174(6)	210174(6)	210174(9)	210174(9)	210174(9)
34	2	Observation Port Assembly	98760	98760	98760	98760	98760	98760
35	( )	Orifice-Natural	210758-111(10)	210758-111(13)	210758-111(15)	210758-111(19)	210758-111(21)	210758-111(25)
36	( )	Orifice-Propane	210758-75(10)	210758-75(13)	210758-75(15)	210758-75(19)	210758-75(21)	210758-75(25)
37	( )	Panel, Air Box Divider	210720(1)			210720(1)	210720(1)	210720(2)
38	1	Panel, Air Box Divider w/Slot		210720-1	210720-1	210720-1	210720-1	
39	( )	Panel, Air Diverter	211080(2)	211080(2)	211080(2)	211080(3)	211080(3)	211080(3)
40	1	Panel, Front Combustion	210703	210703-1	210703-2	210703-3	210703-4	210703-5
41	1	Panel, Side Air Chamber	211088	211088	211088	211088	211088	211088
42	1	Panel, Side Air Chamber	211088-1	211088-1	211088-1	211088-1	211088-1	211088-1
43	1	Panel, Top Combustion	210717	210717-1	210717-2	211135	211135-1	211135-2
44	1	Plate, Divider Insert		211134	211134	211134	211134	
45	1	Plate, Insert Mate		211309	211309	211309	211309	
46	1	Rear Combustion Assembly	211254	211254-1	211254-2	211254-3	211254-4	211254-5
47	( )	Screw Cap	190960(8)	190960(8)	190960(8)	190960(12)	190960(12)	190960(12)
48	1	Side Panel Assembly	210716-1	210716-1	210716-1	210716-1	210716-1	210716-1
49	1	Side Panel Assembly	210716	210716	210716	210716	210716	210716
50	( )	Silicone Tube	210209-10(4)	210209-10(4)	210209-10(4)	210209-10(6)	210209-10(6)	210209-10(6)
51	( )	Silicone Tube	210209-25(3)	210209-25(3)	210209-25(3)	210209-25(4)	210209-25(4)	210209-25(4)
52	( )	Strain Relief	210173(2)	210173(2)	210173(2)	210173(3)	210173(3)	210173(3)
53	( )	Strain Relief Tube Assembly	210234(4)	210234(4)	210234(4)	210234(6)	210234(6)	210234(6)
54	1	Switch, Blocked Flue	210908-2	210908-2	210908-2	210908-2	210908-2	210908-2
55	( )	Switch, Differential	211094(2)	211094(2)	211094(2)	211094(3)	211094(3)	211094(3)
56	( )	Switch, Differential - Prop.	211094-1(2)	211094-1(2)	211094-1(2)	211094-1(3)	211094-1(3)	211094-1(3)
57	1	Switch, Low Gas Nat/Prop	191149-1/3	191149-1/3	191149-1/3	191149-1/3	191149-1/3	191149-1/3

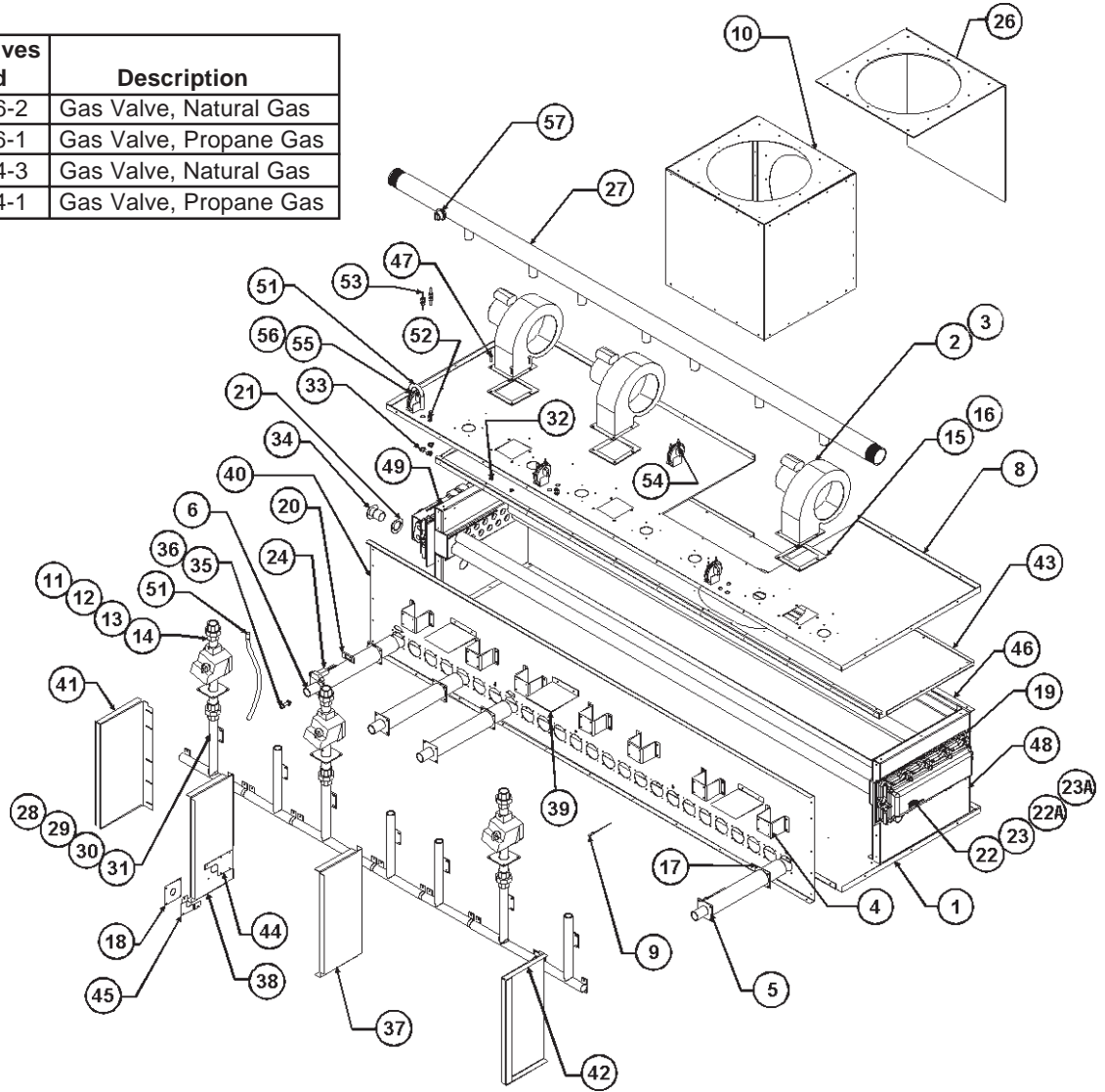
Note: ( ) Item quantity.  
\* Items not illustrated.

**CS-D1 and IRI Models substitute the following part numbers for the Gas Train Assemblies:**

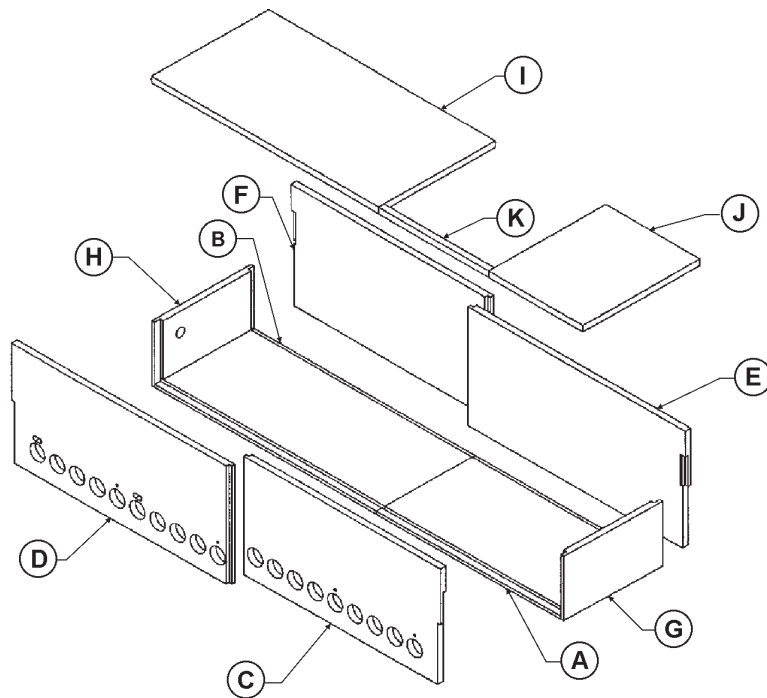
- Item 11 substitute with 211082-2
- Item 12 substitute with 211082-3
- Item 13 substitute with 211081-2
- Item 14 substitute with 211081-3

## COMBUSTION CHAMBER ASSEMBLY COMPONENTS

Gas Train	Gas Valves Used	Description
211081	191956-2	Gas Valve, Natural Gas
211081-1	191956-1	Gas Valve, Propane Gas
211082	192454-3	Gas Valve, Natural Gas
211082-1	192454-1	Gas Valve, Propane Gas



## INSULATION ASSEMBLY COMPONENTS

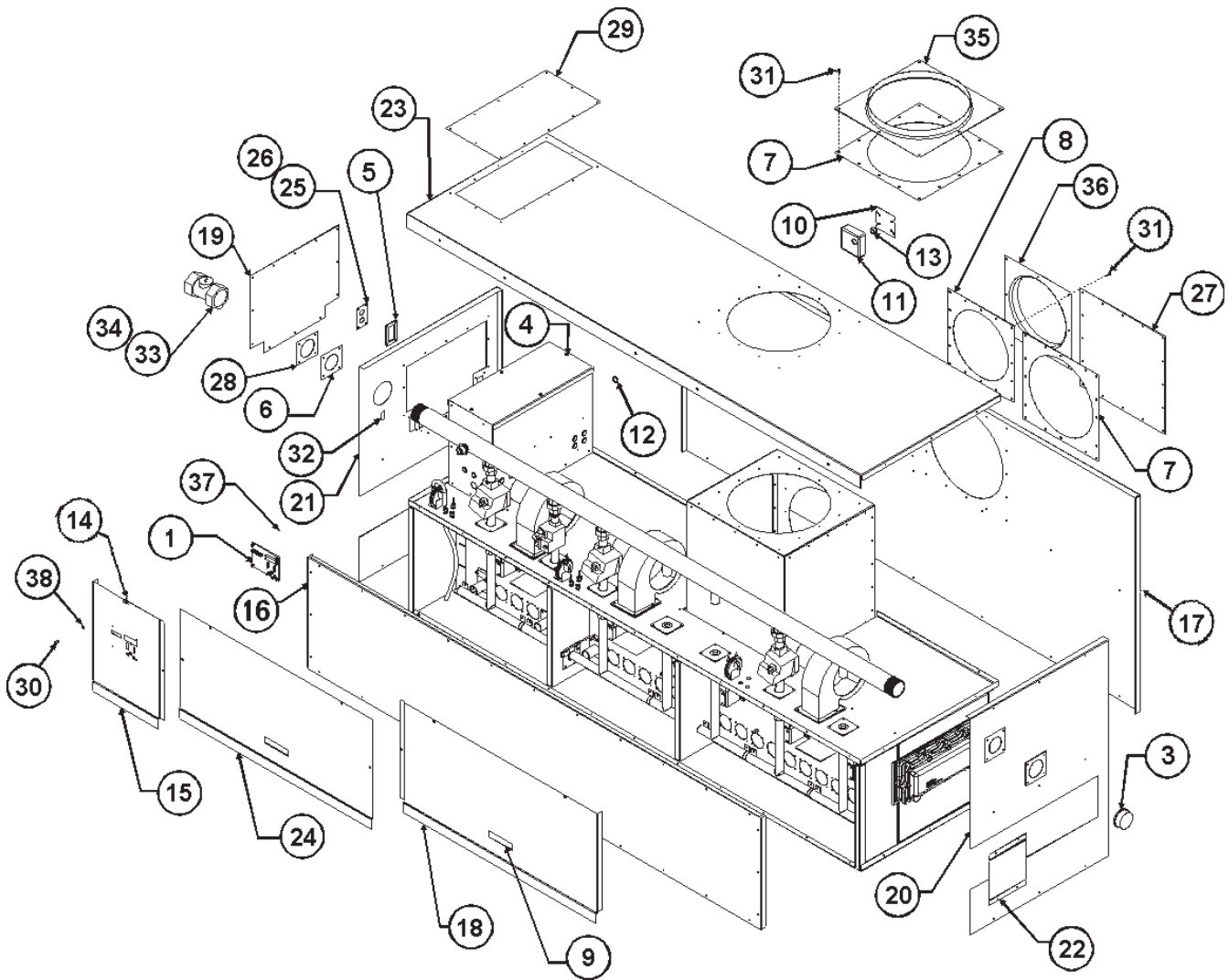


Item	Qty.	Description	GB/GW 1000	GB/GW 1300	GB/GW 1500	GB/GW 1850	GB/GW 2100	GB/GW 2500
<b>JACKET ASSEMBLY COMPONENTS:</b>								
1	1	User Interface, Display	211762	211762	211762	211762	211762	211762
2	1	Bracket, Control Box Support	211362	211362	211362	211362	211362	211362
3	1	Cap, Pipe	43762-1	43762-1	43762-1	43762-2	43762-2	43762-2
4	1	Control Box	212458	212458	212458	212458	212458	212458
5	2	Gasket, Conduit	211266	211266	211266	211266	211266	211266
6	2	Gasket, Main Gas Manifold	211045	211045	211045	211045-1	211045-1	211045-1
7	2	Gasket, Vent Adaptor	211049-1	211049-2	211049-2	211049-3	211049-3	211049-4
8	1	Gasket, Vent Adaptor (Air Inlet)	211049	211049-1	211049-1	211049-1	211049-2	211049-3
9	( )	Handle, Front Panel	191802(1)	191802(1)	191802(1)	191802(2)	191802(2)	191802(2)
10	2	J-Box Cover	2233	2233	2233	2233	2233	2233
11	2	Junction Box	190438-4	190438-4	190438-4	190438-4	190438-4	190438-4
12	2	Locknut, Star	1953	1953	1953	1953	1953	1953
13	2	Nipple, Chase	41994	41994	41994	41994	41994	41994
14	( )	Nut, Speed	68463(4)	68463(4)	68463(4)	68463(7)	68463(7)	68463(7)
15	1	Panel, Display Ass'y.	212510-000	212510-000	212510-000	212511-001	212511-001	212511-001
16	1	Panel, Front Bottom	211252	211252-1	211252-2	211252-3	211252-4	211252-5
17	1	Panel, Rear Jacket	210739	210739-1	210739-2	211137	211137-1	211137-2
18	1	Panel, Right Jack. Ass'y.	211073	211073-1	211073-2	211282	211282-1	211282-2
19	1	Panel, Side Access	210792	210792	210792	210792	210792	210792
20	1	Panel, Side Jacket	210738	210738	210738	210738-1	210738-1	210738-1
21	1	Panel, Side Jacket	210737	210737	210737	210737-1	210737-1	210737-1
22	2	Panel, Side Jacket Insert	211074	211074	211074	211074	211074	211074
23	1	Panel, Top Jacket	210733	210733-1	210733-2	210733-3	210733-4	210733-5
24	1	Panel, Mid-Jacket Ass'y.	- - - -	- - - -	- - - -	211072	211072	211072-1
25	1	Plate, Conduit	211265	211265	211265	211265	211265	211265
26	1	Plate, Conduit - 2 Holes	211265-1	211265-1	211265-1	211265-1	211265-1	211265-1
27	1	Plate, Flue	211047	211047-1	211047-1	211047-2	211047-2	211047-3
28	2	Plate, Main Gas Manifold	211046	211046	211046	211046-1	211046-1	211046-1
29	1	Plate, Top Jacket	211142	211142	211142	211142	211142	211142
30	( )	Screw, Panel	68462(4)	68462(4)	68462(4)	68462(7)	68462(7)	68462(7)
31	( )	Screw, Sheet Metal	210125-1(52)	210125-1(56)	210125-1(56)	210125-1(56)	210125-1(56)	210125-1(56)
32	1	Switch, Rocker	191665-1	191665-1	191665-1	212839	212839	212839
33	1	Valve, Ball 2 X 2	69022-2	69022-2	69022-2	- - - -	- - - -	- - - -
34	1	Valve, Ball 2 1/2 X 2 1/2	- - - -	- - - -	- - - -	69022-3	69022-3	69022-3
35	1	Vent Adaptor - Exhaust	210783-1	210783-2	210783-2	210783-3	210783-3	210783-4
36	1	Vent Adaptor - Air Inlet	210783	210783-1	210783-1	210783-1	210783-2	210783-2
37	4	Washer, Locknut	210207	210207	210207	210207	210207	210207
38	( )	Washer, Retaining (SPL)	68338(4)	68338(4)	68338(4)	68338(7)	68338(7)	68338(7)

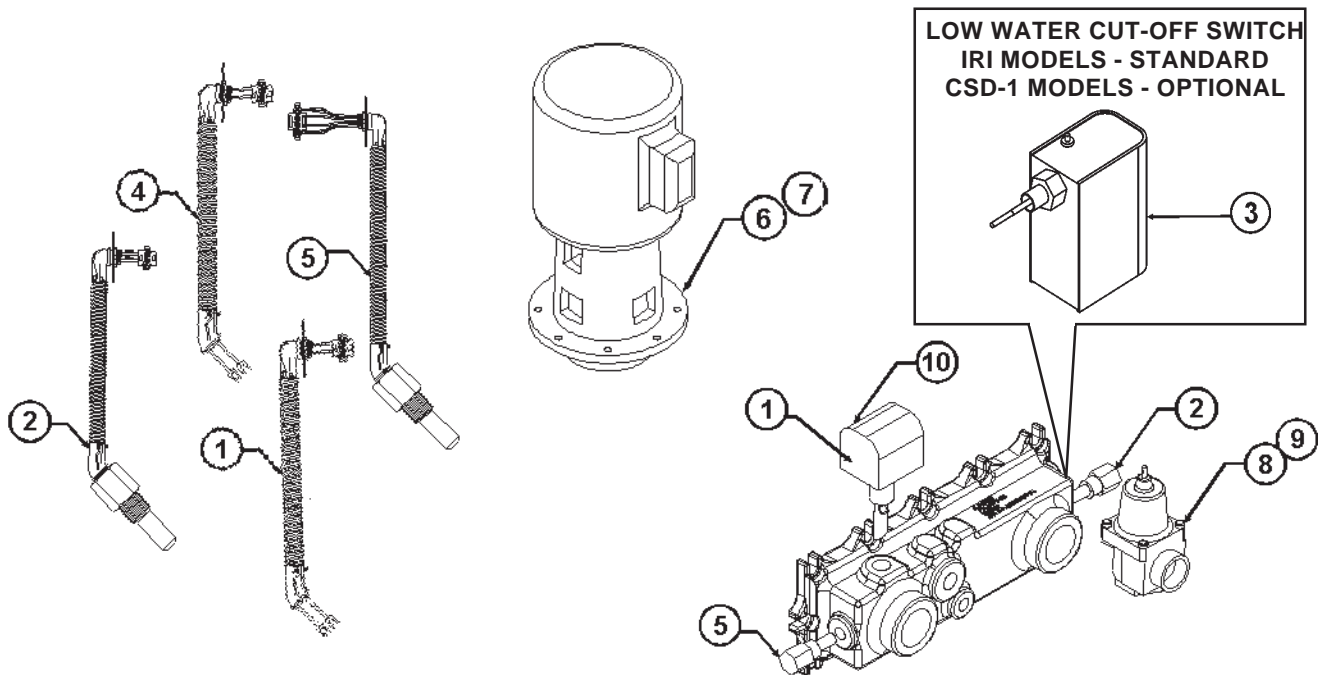
Item	Qty.	Description	GB 1000, 1300	GB 1500	GB 1850, 2100	GB 2500	GW 1000 - 1500	GW 1850	GW 2100, 2500
<b>WATER HEATER CONNECTIONS:</b>									
1	1	Flow Switch Conduit Ass'y.	211156	211156	211156	211156	211156	211156	211156
2	1	Inlet Temp Conduit Ass'y.	210180-1	210180-1	210180-1	210180-1	210180-1	210180-1	210180-1
3	1	Low Water Cutoff	210376	210376	210376	210376	210376	210376	210376
4	1	Low Water Cutoff Conduit Ass'y.	211118	211118	211118	211118	211118	211118	211118
5	1	Outlet Conduit Ass'y.	210181-1	210181-1	210181-1	210181-1	210181-1	210181-1	210181-1
6	1	Pump - 1/2 HP Volute	- - - -	- - - -	- - - -	- - - -	211324	- - - -	- - - -
7	1	Pump - 1 HP Volute	- - - -	- - - -	- - - -	- - - -	- - - -	211251	211251
8	1	Relief Valve-125 psi	- - - -	- - - -	- - - -	- - - -	98883-3	98883-3	98883-7
9	1	Relief Valve-50 psi	210451-1	210451-2	210451-2	210451-3	- - - -	- - - -	- - - -
10	1	Switch - Flow	210176	210176	210176	210176	210176	210176	210176
*11	1	Tank Probe	- - - -	- - - -	- - - -	- - - -	210211-1	210211-1	210211-1

Note: ( ) Item quantity. \* Items not illustrated.

## JACKET ASSEMBLY COMPONENTS

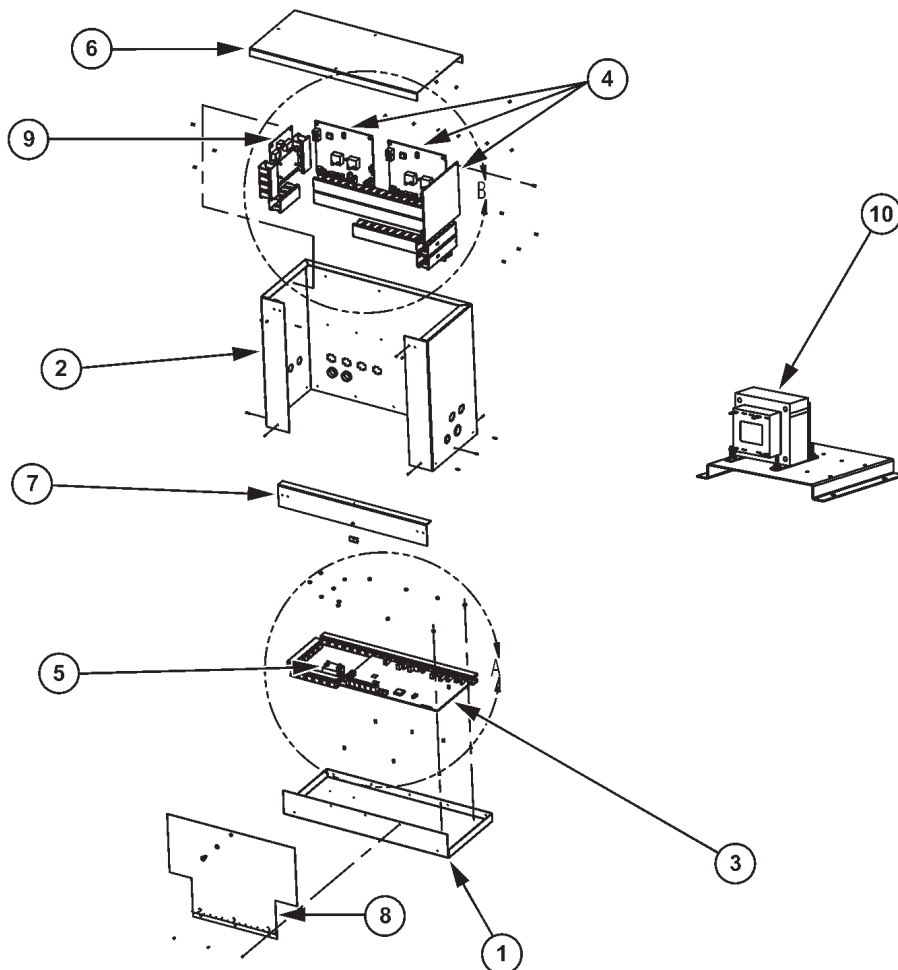


## WATER HEATER CONNECTIONS



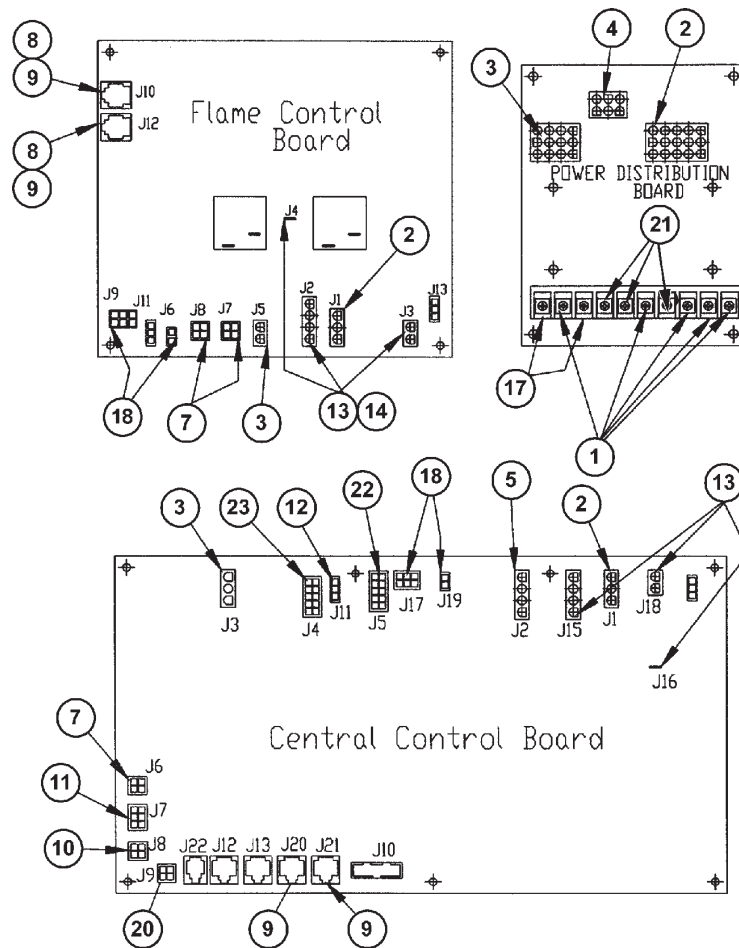
Item	Qty.	Description	GB/GW 1000-1500	GB/GW 1850-2500	GB/GW 1000-1500 IRI	GB/GW 1850-2500 IRI
1	1	Control Box Base	212459-001	212459-000	212459-003	212459-002
2	1	Control Box Panel	212457-001	212457-000	212457-001	212457-000
3	1	Central Control Board (CCB)	211758	211758	211758	211758
4	( )	Flame Control Board (FCB)	211759 (2)	211759 (3)	211759 (2)	211759 (3)
5	( )	Relay, 120-volt	211546 (1)	211546 (1)	211546 (2)	211546 (2)
6	1	Control Box Top	211109	211109	211109	211109
7	1	Support Bracket	212455	212455	212455	212455
8	1	Control Box Front Panel	212461	212461	212461	212461
9	1	Power Distribution Board (PDB)	211760-000	211760-000	211760-000	211760-000
10	1	Transformer, 150 VA	211477	-----	211477	-----
10	1	Transformer, 250 VA	-----	211673	-----	211673

### CONTROL BOX ASSEMBLY



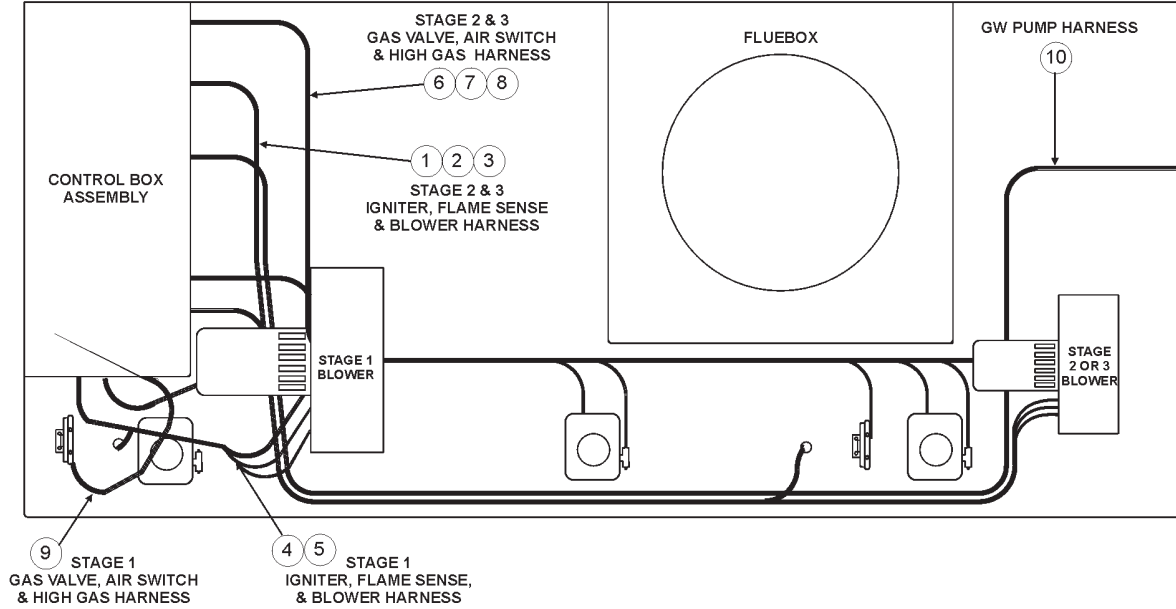
Item	Qty.	Description	GB/GW 1000-1500	GB/GW 1850-2500
1	1	Harness, Power Line Input	212447	212447
2	1	Harness, 120 VAC Power Distribution	212410-000	212410-001
3	1	Harness, 24 VAC Power Distribution	212409-000	212409-001
4	1	Harness, Transformer	212411-000	212411-001
5	1	Harness, Relay Coil	211949-002	211949-002
6	1	Harness, Gas Valve Relay Power (Not Shown)	211952-000	211952-000
7	()	Harness, Gas Valve Relay Power	211951-001(1)	211951-001(2)
8	()	Harness, Communication	211953-001 (1)	211953-000 (2)
9	2	Harness, Communication	211953-001	211953-001
10	1	Harness, Inlet Probe	211954-000	211954-000
11	1	Harness, Outlet ECO	211955-000	211955-000
12	1	Harness, External Thermostat	211956-002	211956-002
13	()	Harness, 120 VAC Stage Output	212692-000 (1)	212692-000 (2)
14	2	Harness, 120 VAC Stage Output	212692-001	212692-001
15	()	Harness, Chassis Grounding (Not Shown)	211204-407(3)	211204-407(4)
16	1	Harness, Transformer Jumper (Not Shown)	-----	211204-415
17	1	Harness, Pump Relay Contacts	211963-000	211963-000
18	3	Harness, 24 VAC Output Stages	212413-000	212413-000
19	1	Harness, 24 VAC Output Stages	-----	212413-001
20	1	Harness, Tank Probe	211989-000	211989-000
21	1	Harness, Pump	211945-003	211945-003
22	1	Harness, Switch Input	211950-003	211950-003
23	1	Harness, 24 VAC Output	211951-001	211951-001

### WIRE HARNESS



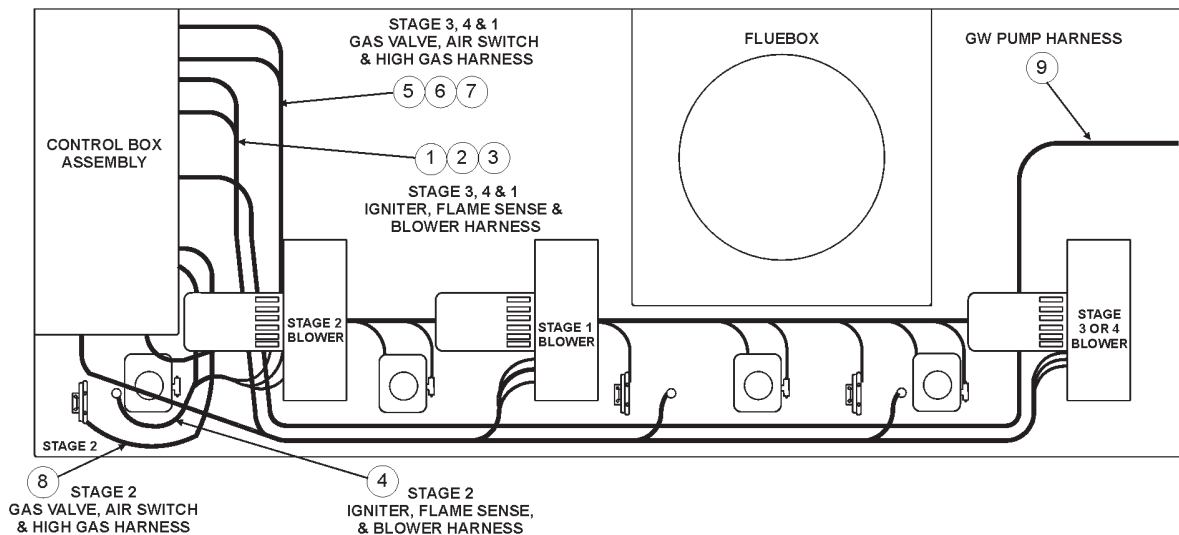
Item	Qty.	Description	GB 1000	GW 1000	GB 1300	GW 1300	GB 1500	GW 1500
1	1	120VAC Termination Assembly	211379	211379				
2	1	120VAC Termination Assembly			211378	211378		
3	1	120VAC Termination Assembly					211376	211376
4	1	120VAC Termination Assembly			211101	211101	211101	211101
5	1	120VAC Termination Assembly	211101-1	211101-1				
6	1	24VAC Termination Assembly	211380	211380				
7	1	24VAC Termination Assembly			211377	211377		
8	1	24VAC Termination Assembly					211375	211375
9	1	24VAC Termination Assembly	211100	211100	211100	211100	211100	211100
10	1	GW Pump Harness Assembly		211393		211393-1		211393-2

### 3 STAGE CONTROL SHELF WIRING HARNESSSES



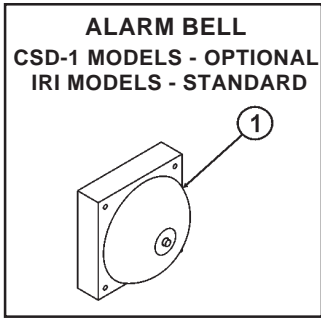
Item	Qty.	Description	GB 1850	GW 1850	GB 2100	GW 2100	GB 2500	GW 2500
1	1	120VAC Termination Assembly	211382	211382				
2	1	120VAC Termination Assembly			211385	211385		
3	1	120VAC Termination Assembly					211386	211386
4	1	120VAC Termination Assembly	211101	211101	211101	211101	211101	211101
5	1	24VAC Termination Assembly	211381	211381				
6	1	24VAC Termination Assembly			211387	211387		
7	1	24VAC Termination Assembly					211388	211388
8	1	24VAC Termination Assembly	211100	211100	211100	211100	211100	211100
9	1	GW Pump Harness Assembly		211393-3		211393-4		211393-5

### 4 STAGE CONTROL SHELF WIRING HARNESSSES

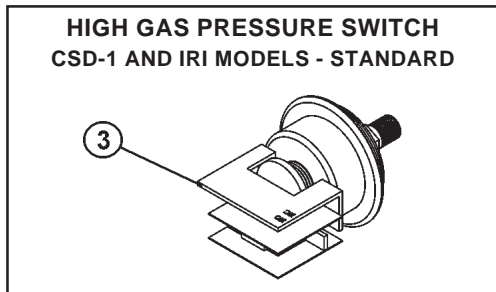
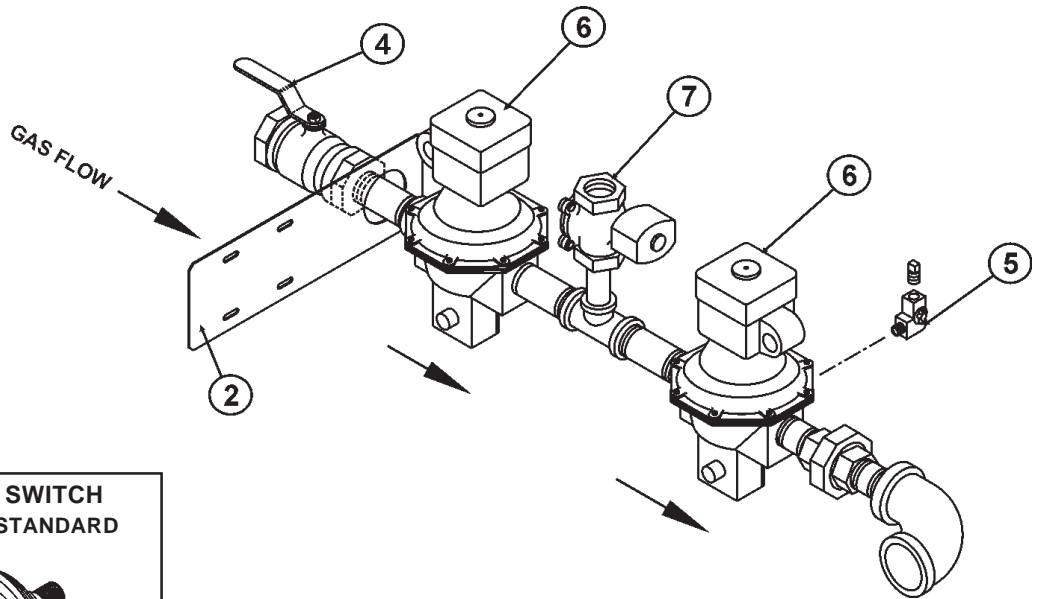




# IRI/CSD-1 COMPONENTS



## IRI GAS TRAIN ASSEMBLY



**COMPLETE IRI GAS TRAIN ASSEMBLIES:**  
• GB/GW 1000-1500 MODELS - 211502  
• GB/GW 1850-2500 MODELS - 211502-1

Item	Qty.	Description	GB/GW 1000	GB/GW 1300	GB/GW 1500	GB/GW 1850	GB/GW 2100	GB/GW 2500
------	------	-------------	---------------	---------------	---------------	---------------	---------------	---------------

**IRI/CSD-1 COMPONENTS:**

1	1	Alarm Bell	211472	211472	211472	211472	211472	211472
2	1	Bracket	211504	211504	211504	211504	211504	211504
3	( )	High Pressure Switch - Natural	192527-1(3)	192527-1(3)	192527-1(3)	192527-1(4)	192527-1(5)	192527-1(7)
	( )	High Pressure Switch - Propane	192527(3)	192527(3)	192527(3)	192527(4)	192527(5)	192527(7)
4	1	Main Manual Shut-Off	69022-2	69022-2	69022-2	69022-3	69022-3	69022-3
5	1	Pilot Shut-Off Valve	200683	200683	200683	200683	200683	200683
6	2	Safety Shut-Off Valve	211503	211503	211503	211503	211503	211503
7	1	Vent, Valve	210698-1	210698-1	210698-1	210698-2	210698-2	210698-2

Note: ( ) Item quantity. \* Items not illustrated.

**CSD-1 and IRI Models substitute the following part numbers for the Gas Train Assemblies shown on pages 2-3:**

- Item 11 substitute with 211082-2
- Item 12 substitute with 211082-3
- Item 13 substitute with 211081-2
- Item 14 substitute with 211081-3