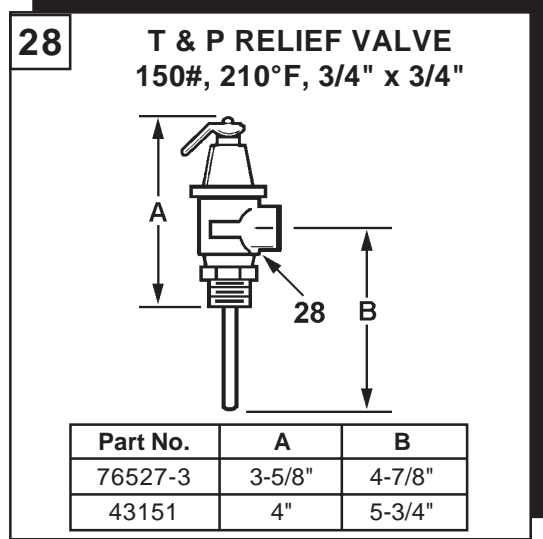
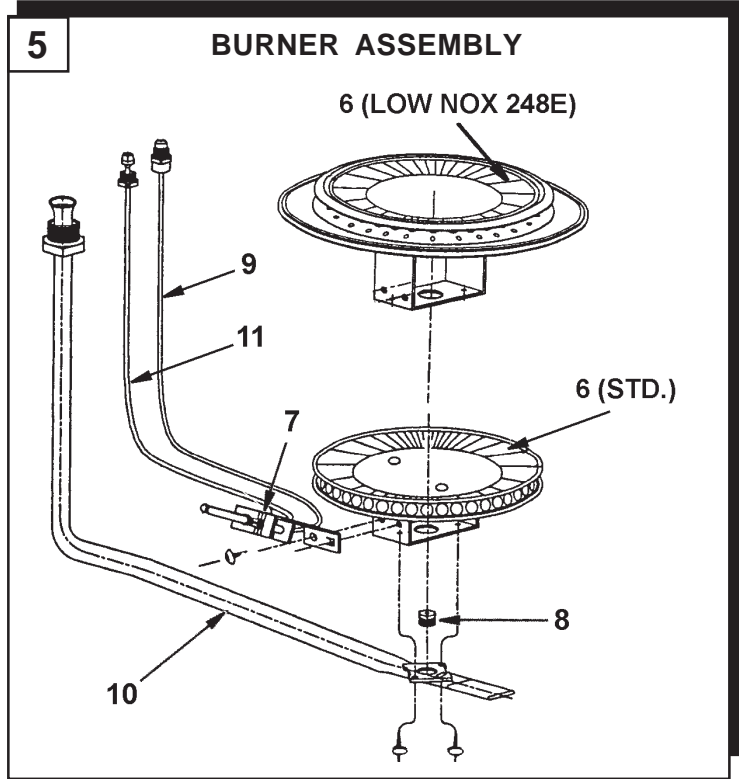
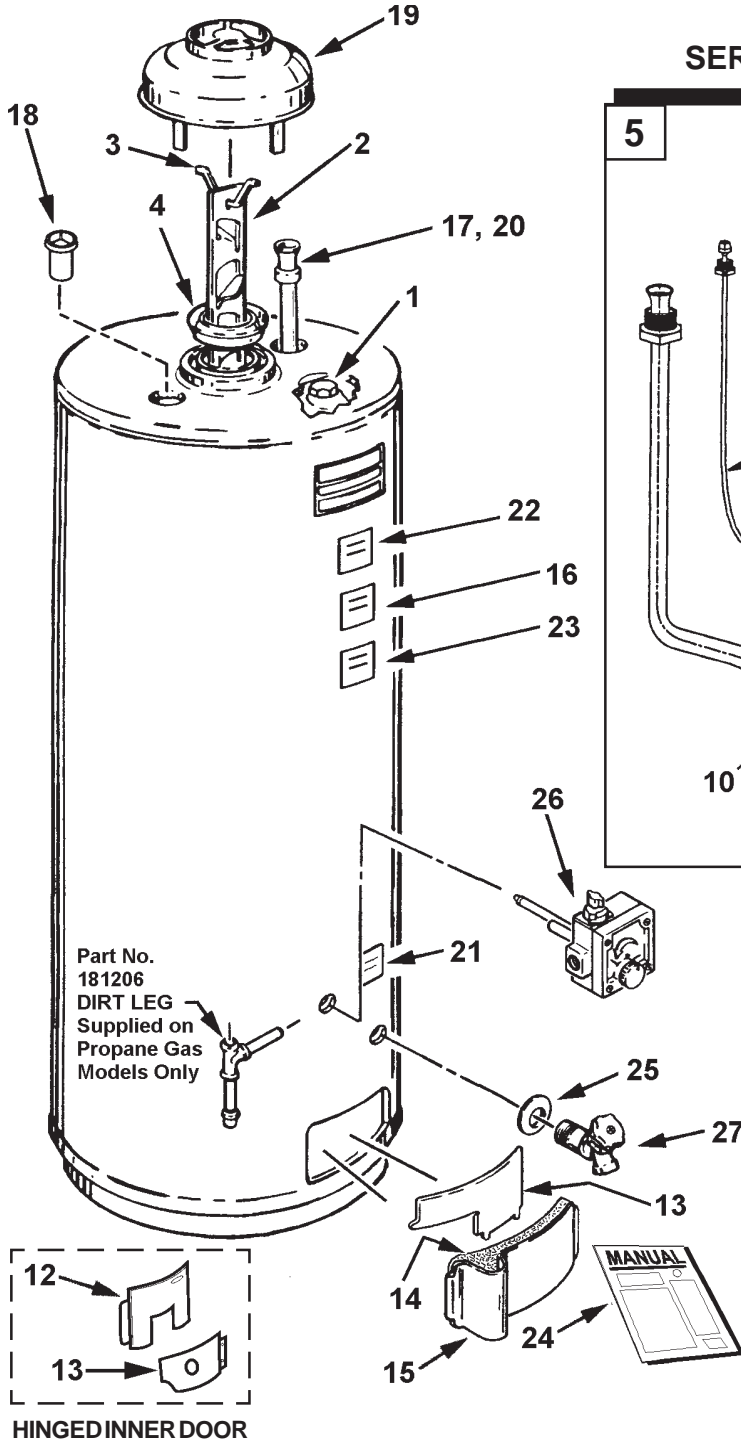


A. O. SMITH

WATER PRODUCTS COMPANY

PSD-1-298
GAS

RESIDENTIAL WATER HEATER PARTS LIST
MODELS PGX 30, 40, 50
PGXH 30, 40, 50
PGR 30, 40, 50
PGXL 30, 40
SERIES 246 THRU 249 (INCLUDING 248 E)



A. O. SMITH WATER PRODUCTS COMPANY

5621 W. 115TH STREET • ALSIP, ILLINOIS 60803

PHONE: 1-800-433-2545 • FAX: 1-800-433-2515

Website: www.aosmithwaterheaters.com • E-mail: parts@hotwater.com

Item	Description	PGX 30(T) 246/247	PGX 30(T) 248/249	PGX 40(T) 246/247	PGX 40(T) 248/249	PGX 50(T) 246	PGX 50(T) 248/249	PGX 50(T) 248E	PGXH 30(T) 246	PGXH 30(T) 248/249	PGXH 30(T) 248E	PGXH 40(T) 246	PGXH 40(T) 248/249	PGXH 40(T) 248E	PGXH 50(T) 246/247	PGXH 50(T) 248/249	PGXH 50(T) 248E	PGR 30(T) 246/247	PGR 30(T) 248/249	PGR 40(T) 246/247	PGR 40(T) 248/249	PGR 50(T) 246/247	PGR 50(T) 248/249	
1	Anode, Magnesium Alloy	183463-29	183463-29	183463-35	183463-35	183463-39	183463-39	183463-39	183463-32	183463-32	183463-32	183463-35	183463-35	183463-35	183463-39	183463-39	183463-39	183463-29	183652-32	183463-35	183652-32	183463-39	183652-32	
2	Baffle, Flue	192199-1	181811	192199-1	181811	181589	181589	181589	181589	181589	181589	181589	181589	181589	181589	181589	181589	181589	181589	181589	181589	181589	181589	181589
3	Baffle, Hanger	181360	181360	181360	181360	181360	181360	181360	181360	181360	181360	181360	181360	181360	181360	181360	181360	181360	181360	181360	181360	181360	181360	181360
4	Restrictor, Flue	- - -	- - -	- - -	- - -	34894-1	34894-1	34894-1	34894-1	34894-1	34894-1	34894-1	34894-1	34894-1	34894-1	34894-1	34894-1	34894	34894	34894	34894	34894	34894	34894
BURNER ASSEMBLY																								
5	Burner Assembly, Natural Gas	182725-12	182725-12	182725-8	182725-8	182725-4	182725-4	183511-3	182725	182725	183511	182725-15	182725-15	183511-1	182725-4	182725-4	183511-3	18275-15	18275-15	18275-19	18275-19	18275-24	18275-24	
5	Burner Assembly, Propane Gas	182725-13	182725-13	182725-9	182725-9	- - -	182725-5	- - -	182725-1	- - -	182725-16	- - -	182725-16	- - -	182725-5	182725-5	- - -	18275-16	18275-16	18275-20	18275-20	18275-25	18275-25	
6	Burner, Main - Natural	182730	182730	182730	182730	182730	182730	183504	182730	182730	183504	182730	182730	183504	182730	182730	183504	182730	182730	182730	182730	182730	182730	182730
6	Burner, Main - Propane	182730	182730	182730	182730	- - -	182730	- - -	182730	- - -	182730	- - -	182730	- - -	182730	182730	- - -	182730	182730	182730	182730	182730	182730	182730
7	Burner Ass'y., Pilot - Natural (includes items 9 & 11)	182729-7	182729-7	182729-4	182729-4	182729-4	182729-4	182729-4	182729-4	182729-4	182729-4	182729-4	182729-4	182729-4	182729-4	182729-4	182729-4	182729-4	182729-4	182729-3	182729-3	182729-10	182729-10	
7	Burner Ass'y., Pilot - Propane (includes items 9 & 11)	182729-9	182729-9	182729-5	182729-5	- - -	182729-5	- - -	182729-9	- - -	182729-5	- - -	182729-5	- - -	182729-5	182729-5	- - -	182729-5	182729-5	182729-1	182729-1	182729-11	182729-11	
8	Orifice, Main Burner - Natural	181508-37	181508-37	181508-36	181508-36	181508-31	181508-31	181508-31	181508-31	181508-31	181508-31	181508-31	181508-31	181508-31	181508-31	181508-31	181508-31	181508-31	181508-31	181508-31	181508-31	181508-31	181508-31	
8	Orifice, Main Burner - Propane	181791-52	181791-52	181791-52	181791-52	- - -	181791-50	- - -	181791-50	- - -	181791-50	- - -	181791-50	- - -	181791-50	181791-50	- - -	181791-50	181791-50	181791-50	181791-50	181791-50	181791-50	181791-50
9	Thermocouple	23673	23673	23673	23673	23673	23673	23673	23673	23673	23673	23673	23673	23673	23673	23673	23673	23673	23673	23673	23673	23673	23673	23673
10	Tube, Main Burner - Natural	182727	182727	182727-7	182727-7	182727-3	182727-3	182727-3	182727	182727	182727	182727-1	182727-1	182727-1	182727-3	182727-3	182727-3	182727-1	182727-1	182727-1	182727-2	182727-2	182727-4	182727-4
10	Tube, Main Burner - Propane	182728	182728	182728-1	182728-1	- - -	182728-3	- - -	182728	- - -	182728-1	- - -	182728-3	182728-3	182728-3	182728-3	- - -	182728-1	182728-1	182728-1	182728-2	182728-2	182728-4	182728-4
11	Tube, Pilot	23925-20	23925-20	23925-20	23925-20	23925-20	23925-20	23925-20	23925-20	23925-20	23925-20	23925-20	23925-20	23925-20	23925-20	23925-20	23925-20	23925-20	23925-20	23925-20	23925-20	23925-20	23925-20	23925-20
DOOR ASSEMBLIES																								
12	Filler, Inner Door	182073-1	- - -	182073-1	- - -	182073-1	- - -	- - -	182073-1	- - -	- - -	182073-1	- - -	- - -	182073-1	- - -	- - -	182073-1	- - -	- - -	182073-1	- - -	182073-1	- - -
13	Inner Door Assembly	181667	183491	181667	183491	181667	183491	183491	181667	183491	183491	181667	183491	183491	181667	183491	183491	181667	183491	183491	181667	183491	181667	183491
14	Insulation Pad, Outer Door	183257	- - -	183257	- - -	183257	- - -	183257	183257	183257	- - -	183257	- - -	183257	- - -	183257	- - -	183257	- - -	183257	- - -	183257	- - -	183257
15	Outer Door	180522	180522	180522	180522	180522	180522	180522	180522	180522	180522	180522	180522	180522	180522	180522	180522	180522	180522	180522	180522	180522	180522	180522
16	Flammable Vapor/Scald Warning Label	183300	183300	183300	183300	183300	183300	183300	183300	183300	183300	183300	183300	183300	183300	183300	183300	183300	183300	183300	183300	183300	183300	183300
17	Heat Trap, Inlet Tube, PP (used on "T" models only)	181068-33	183354-33	181068-33	183354-33	181068-35	183354-35	181068-35	183354-35	181068-35	183354-35	181068-35	183354-35	181068-35	183354-35	183354-35	183354-35	181068-35	183354-35	183354-35	181068-35	183354-35	181068-35	183354-35
18	Heat Trap, Outlet (used on "T" models only)	181235	183360	181235	183360	181235	183360	181235	183360	181235	183360	181235	183360	181235	183360	183360	183360	181235	183360	183360	181235	183360	181235	183360
19	Hood, Draft	181082	181082	181082	181082	181082	181082	181082	181082	181082	181082	181082	181082	181082	181082	181082	181082	181082	181082	181082	181082	181082	181082	181082
20	Inlet Tube, PP	160375-26	183352-35	21067-33	183352-33	21067-37	183352-35	183352-35	21067-37	183352-35	183352-35	21067-37	183352-35	183352-35	21067-37	183352-35	183352-35	21067-37	183352-35	21067-37	183352-35	21067-37	183352-35	21067-37
21	Label, L & O Instruction	182964	182798	182964	182798	182964	182798 or 182964	182798	182964	182798	182964	182798	182964	182798	182964	182798	182964	182798	182964	182798	182964	182798	182964	182798
22	Label, Relief Valve	180078	180078	180078	180078	180078	180078	180078	180078	180078	180078	180078	180078	180078	180078	180078	180078	180078	180078	180078	98987	98987	- - -	- - -
23	Label, Temperature	182734	182734	182734	182734	182734	182734	182734	182734	182734	182734	182734	182734	182734	182734	182734	182734	182734	182734	182734	182734	182734	182734	182734
24	Owner's Manual	183552	183552	183552	183552	183552	183552	183552	- - -	183552	183552	- - -	183552	183552	- - -	183552	183552	183552	183552	183552	183552	183552	183552	183552
25	Pipe Collar	20172-21	20172-21	20172-21	20172-21	20172-21	20172-21	20172-21	20172-21	20172-21	20172-21	20172-21	20172-21	20172-21	20172-21	20172-21	20172-21	20172-21	20172-21	20172-21	20172-21	20172-21	20172-21	20172-21
26	Thermostat - Natural	23736	182791	23736	182791	23736	182791	182791	23736	182791	182791	23736	182791	182791	23736	182791	182791	180193-4	182791-2	180193-4	182791-2	180193-4	182791-2	
26	Thermostat - Propane	181775-2	182792	181775-2	182792	- - -	182792	- - -	182792	- - -	182792	- - -	182792	- - -	181775-2	182792	- - -	182792-1	182792-1	182792-1	182792-1	182792-1	182792-1	182792-1
27	Valve, Drain - Brass	26273-8	26273-8	26273-8	26273-8	26273-4	26273-4	26273-4	26273-8	26273-8	26273-8	26273-8	26273-8	26273-8	26273-4	26273-4	26273-5	26273-6	26273-6	26273-6	26273-6	26273-6	26273-9	26273-9
27	Valve, Drain - Plastic	42037	42037	42037	42037	42037-1	42037-1	42037-1	42037	42037	42037	42037	42037	42037	42037-1	42037-1	- - -	42037-3	42037-3	42037-3	42037-3	42037-2	42037-2	42037-2
28	Valve, T & P	76527-3	76527-3	76527-3	76527-3	76527-3	76527-3	76527-3	76527-3	76527-3	76527-3	76527-3	76527-3	76527-3	76527-3	76527-3	76527-3	43151-2	76527-3	43151-2	76527-3	876527-4	876527-4	

NOTE: SEE REVERSE SIDE FOR MODELS PGXL 30 AND PGXL 40



A.O. SMITH WATER PRODUCTS COMPANY
5621 W. 115TH STREET • ALSIP, ILLINOIS 60803
PHONE: 1-800-433-2545 • FAX: 1-800-433-2515
Website: www.aosmithwaterheaters.com • E-mail: parts@hotwater.com

Item	Description	PGXL 30(T)	PGXL 30(T)	PGXL 30(T)	PGXL 40(T)	PGXL 40(T)	PGXL 40(T)
		246	248	248E	246/247	248/249	248E
1	Anode, Magnesium Alloy	183463-32	183463-32	183463-32	183463-35	183463-35	183463-35
2	Baffle, Flue	181589-1	181589-1	181589-1	181589-1	181589-1	181589-1
3	Baffle, Hanger	181360	181360	181360	181360	181360	181360
4	Restrictor, Flue	34894-1	34894-1	34894-1	34894-1	34894-1	34894-1
BURNER ASSEMBLY							
5	Burner Assembly, Natural Gas	182725-17	182725-17	183511-1	182725-31	182725-31	183511-3
5	Burner Assembly, Propane Gas				182725-32	182725-32	
6	Burner, Main - Natural	182730	182730	183504	182730	182730	183504
6	Burner, Main - Propane				182730	182730	
7	Burner Ass'y., Pilot - Natural						
	(includes items 9 & 11)	<u>182729-4</u>	<u>182729-4</u>	<u>182729-4</u>	<u>182729-4</u>	<u>182729-4</u>	<u>182729-4</u>
7	Burner Ass'y., Pilot - Propane						
	(includes items 9 & 11)				<u>182729-5</u>	<u>182729-5</u>	
8	Orifice, Main Burner - Natural	181508-32	181508-32	181508-31	181508-31	181508-31	181508-31
8	Orifice, Main Burner - Propane				181791-50	181791-50	
9	Thermocouple	23673	23673	23673	23673	23673	23673
10	Tube, Main Burner - Natural	182727-1	182727-1	182727-1	182727-3	182727-3	182727-3
10	Tube, Main Burner - Propane				182728-3	182728-3	
11	Tube, Pilot	23925-20	23925-20	23925-20	23925-20	23925-20	23925-20
DOOR ASSEMBLIES							
12	Filler, Inner Door	182073-1			182073-1		
13	Inner Door Assembly	181667	183491	183491	181667	183491	183491
14	Insulation Pad, Outer Door	183257			183257		
15	Outer Door	180522	180522	180522	180522	180522	180522
16	Flammable Vapor/Scald						
	Warning Label	183300	183300	183300	183300	183300	183300
17	Heat Trap, Inlet Tube, PP						
	(used on "T" models only)	183352-26	183352-26	183352-26	183352-26	183352-26	183352-26
18	Heat Trap, Outlet						
	(used on "T" models only)	183360	183360	183360	183360	183360	183360
19	Hood, Draft	181082	181082	181082	181082	181082	183166
20	Inlet Tube, PP	183352-26	183352-26	183352-26	183352-26	183352-26	183352-26
21	Label, L & O Instruction	182964	182798	182798	182964	182798	182798
22	Label, Relief Valve	180078	180078	180078	180078	180078	180078
23	Label, Temperature	182734	182734	182734	182734	182734	182734
24	Owner's Manual		183552	183552		183552	183552
25	Pipe Collar	20172-21	20172-21	20172-21	20172-21	20172-21	20172-21
26	Thermostat - Natural	<u>23736</u>	<u>182791</u>	<u>182791</u>	<u>23736</u>	<u>182791</u>	<u>182791</u>
26	Thermostat - Propane				<u>182792</u>	<u>182792</u>	
27	Valve, Drain - Brass				26273-4	26273-4	26273-4
27	Valve, Drain - Plastic	42037	42037	42037	42037-1	42037-1	42037-1
28	Valve, T & P	76527-3	76527-3	76527-3	76527-3	76527-3	76527-3

* Not illustrated.

NOTE: Underlined parts are recommended stock items for emergency replacement.
Consider gas used in your area only.



A. O. SMITH WATER PRODUCTS COMPANY
5621 W. 115TH STREET • ALSIP, ILLINOIS 60803
PHONE: 1-800-433-2545 • FAX: 1-800-433-2515

Website: www.aosmithwaterheaters.com • E-mail: parts@hotwater.com