

# A.O. SMITH

## WATER PRODUCTS COMPANY

PSD-3-427/a

# GAS

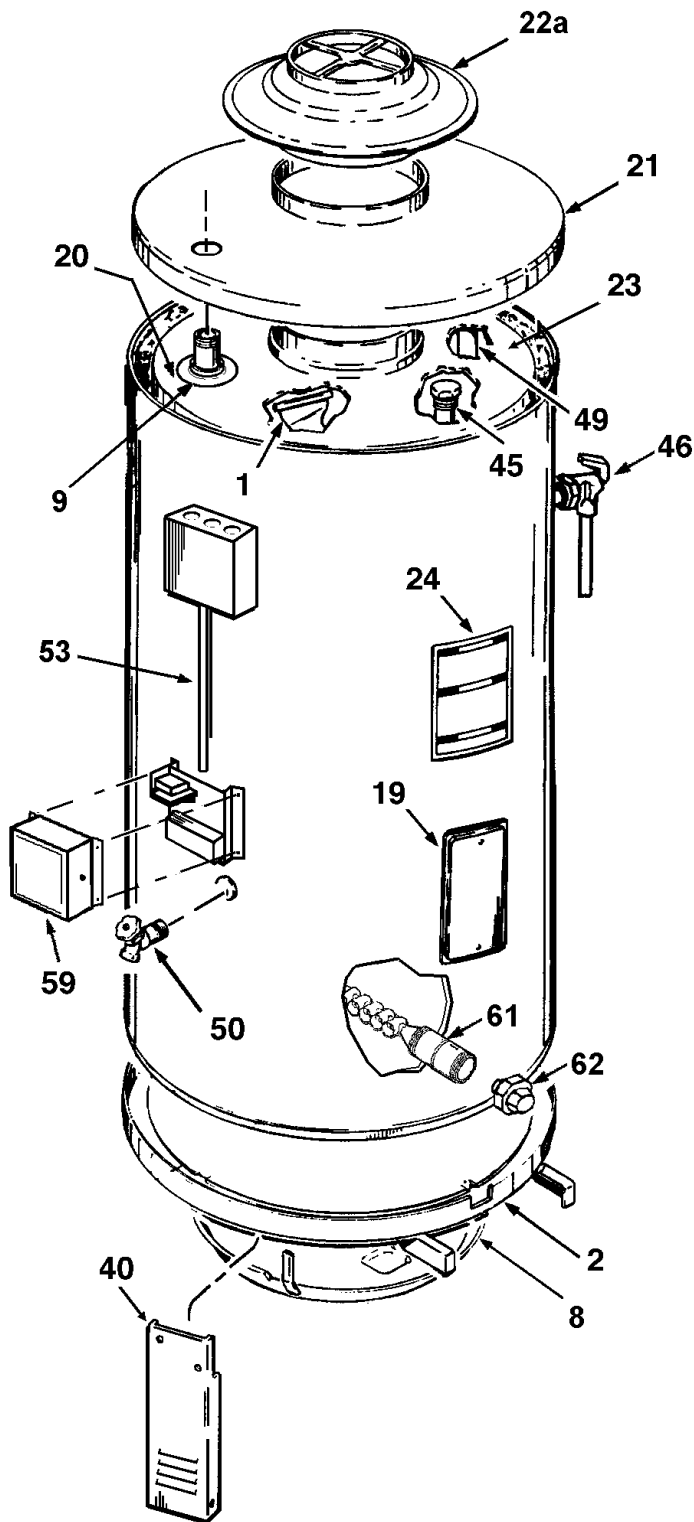
### COMMERCIAL TANK TYPE WATER HEATER

### REPLACEMENT PARTS LIST

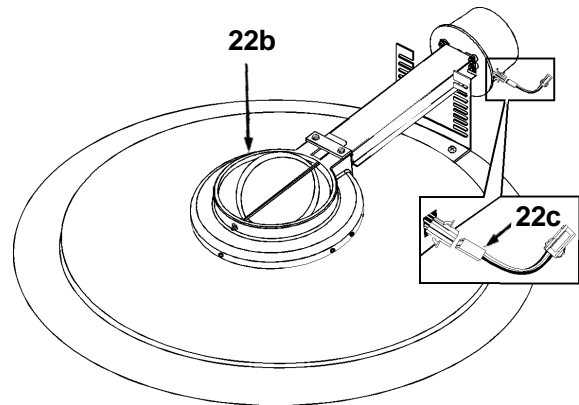
MODELS BTR(C) 120 THRU 500A:

STANDARD AND ASME (A)

SERIES 104/105/106/107

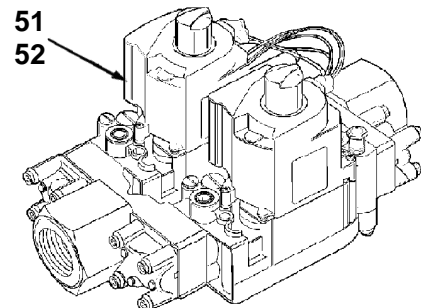


#### EFFIKAL DAMPER DRIVE ASSEMBLY

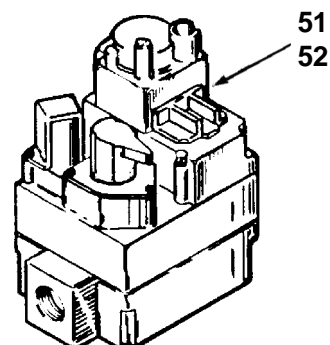


#### GAS VALVES

##### HONEYWELL VALVE BTR(C) 500A



##### WHITE RODGERS VALVE BTR(C) 120 - 400A



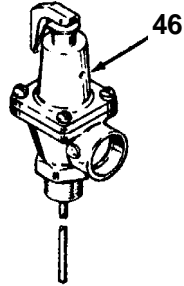
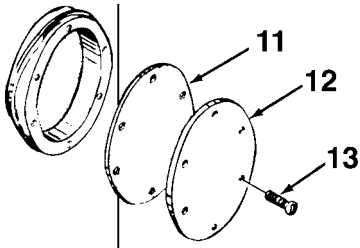
**A.O. SMITH WATER PRODUCTS COMPANY**

5621 W. 115TH STREET • ALSIP, ILLINOIS 60803

PHONE: 1-800-433-2545 • FAX: 1-800-433-2515

Website: [www.aosmithwaterheaters.com](http://www.aosmithwaterheaters.com)

### CLEANOUT ASSEMBLY



### WIRE TERMINALS



78468

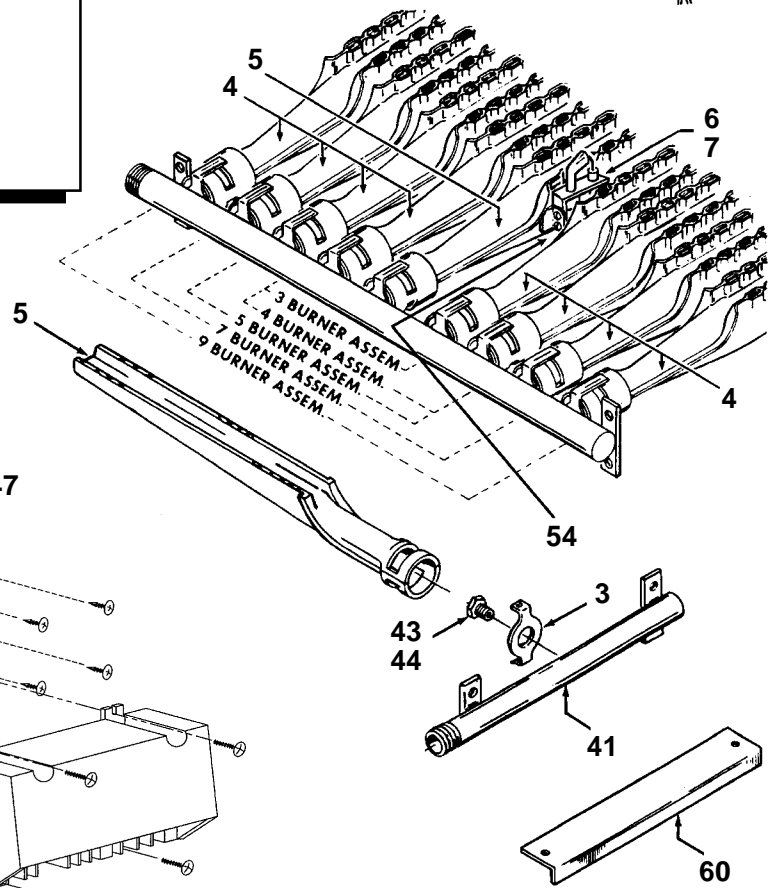
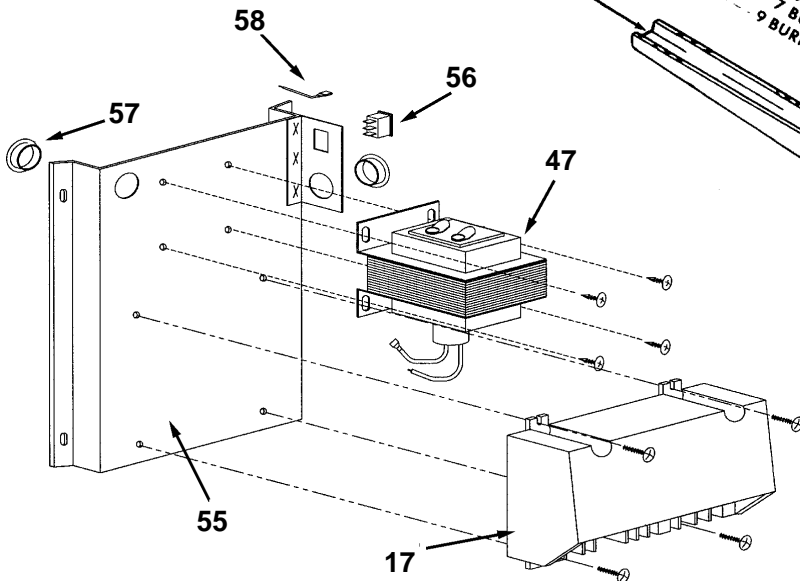
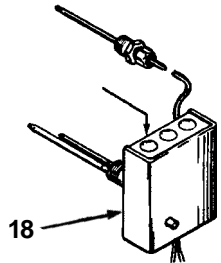
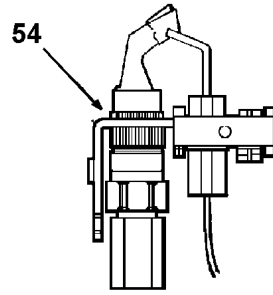
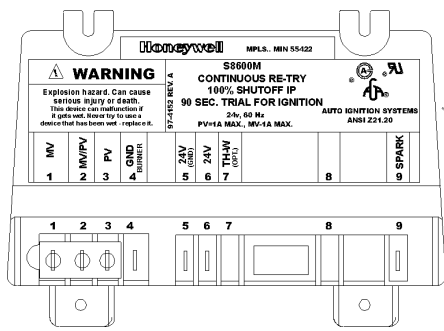


99593(.250 X .032)



78469 (.250 X .032)  
192834 (.187 X .032)

### HONEYWELL CONTROL IGNITION MODULE



ITEM	PARTS DESCRIPTION	BTR 120	BTR 154	BTR 180	BTR 197	BTR 198
1	Flue Baffle	193595	192199-3	193795-1	193696	193696
2	Jacket Base	193862	193862	193819	193819	193819
3	Main Burner Orifice Bracket	98044(3)	98044(3)	98044(5)	98044(5)	98044(5)
4	Main Burner	98047	98047	98047	98047	98047
5	Main Burner w/Pilot Bracket	193873-1	193873-1	193873-1	193873-1	193873-1
6	Pilot Burner, Natural	<u>193314-4</u>	<u>193314-4</u>	<u>193314-4</u>	<u>193314-4</u>	<u>193314-4</u>
7	Pilot Burner, LP	<u>193314-3</u>	<u>193314-3</u>	<u>193314-3</u>	<u>193314-3</u>	<u>193314-3</u>
8	Floor Shield Assembly	193864	193864	193824	193824	193824
9	Collar	74060	74060	74060	74060	74060
<b>CLEANOUT ASSEMBLY</b>						
11	Gasket	99038	99038	99038	99038	99038
12	Pressure Plate	99037	99037	99037	99037	99037
13	Screws, Self Tapping	69852	69852	69852	69852	69852
17	Control, Ignition Module	<u>193325</u>	<u>193325</u>	<u>193325</u>	<u>193325</u>	<u>193325</u>
18	Control, Dual w/ECO	<u>192828</u>	<u>192828</u>	<u>192828</u>	<u>192828</u>	<u>192828</u>
19	Cover, Cleanout	181260	181260	181260	181260	181260
20	Cover, Inner	193393-1	193393-2	193608	193608	193608
21	Jacket Cover	97062-6	97062-6	97062-7	97062-7	97062-7
22a	Drafthood	193596	193596-1	191790	191790	191790
22b	Damper Drive Assembly	194484	194484	194484	194484	194484
22c	Harness Adapter	194459	194459	194459	194459	194459
23	Top Insulation	41560-56	41560-56	192867	192867	192867
<b>LABELS</b>						
24	L&O Label	193620	193620	193620	193620	193620
26	Cleanout	193914	193914	193914	193914	193914
27	*Bilingual Instruction	193912	193912	193912	193912	193912
28	*Ultra Coat	193860	193860	193860	193860	193860
29	*ECO Instruction	193911	193911	193911	193911	193911
30	*Flammable Vapors	192872	192872	192872	192872	192872
31	*Help Line	190600	190600	190600	190600	190600
32	*Instruction	170345	170345	170345	170345	170345
33	*Master Fit	193859	193859	193859	193859	193859
34	*Pilot	193915	193915	193915	193915	193915
35	*Propane	182572	182572	182572	182572	182572
36	*Relief Valve	200042	200042	200042	200042	200042
37	*Water Inlet	161040	161040	161040	161040	161040
38	*Water Outlet	161040-1	161040-1	161040-1	161040-1	161040-1
39	*Wiring Diagram	193621	193621	193621	193621	193621
40	Leg	193826	193826	193826	193826	193826
41	Manifold	76244	76244	76244-2	76244-2	76244-2
42	*Instruction Manual	195779	195779	195779	195779	195779
43	Main Burner Orifice, Natural	<u>76243-32</u>	<u>76243-30</u>	<u>76243-35</u>	<u>76243-32</u>	<u>76243-32</u>
44	Main Burner Orifice, LP	<u>76243-49</u>	<u>76243-46</u>	<u>76243-51</u>	<u>76243-49</u>	<u>76243-49</u>
45	Anode Rod	43817-38	43817-38	43817-38	43817-42	43817-42
46	T&P Relief Valve	99465-7	99465-7	99465-7	99465-7	99465-7
47	Transformer	193444	193444	193444	193444	193444
48	*Pilot Tubing	1417-60	1417-60	1417-60	1417-60	1417-60
49	Inlet Tube	193729	192626	193729	192626	192626
50	Drain Valve	26273-6	26273-6	26273-6	26273-6	26273-6
51	Gas Valve Natural	<u>192827</u>	<u>192827</u>	<u>192827</u>	<u>192827</u>	<u>192827</u>
52	Gas Valve LP	<u>192827-1</u>	<u>192827-1</u>	<u>192827-1</u>	<u>192827-1</u>	<u>192827-1</u>
53	Wire Conduit	193456-1	193456-1	193456-1	193456-1	193456-1
54	Ground Wire	77948-7	77948-7	77948-7	77948-7	77948-7
55	Switch Panel/Mounting Plate	193448	193448	193448	193448	193448
56	Off/On Switch	193243	193243	193243	193243	193243
57	Bushing	193404	193404	193404	193404	193404
58	Jumper Wire	193476	193476	193476	193476	193476
59	Control Box Panel	193447	193447	193447	193447	193447
60	Cover - Burner	98185	98185	98185-2	98185-2	98185-2
61	The Eliminator	195100	195100	195098	195098	195098
62	Galvanized Pipe Union, 1 1/2"	195127	195127	195127	195127	195127

ITEM	PARTS DESCRIPTION	BTR 199	BTR 200/A	BTR 250/A	BTR 251/A	BTR 275/A
1	Flue Baffle	193795-1	193889	193595	193595	193945
2	Jacket Base	193819	192095	192095	193919	192095
3	Main Burner Orifice Bracket	98044(5)	98044(5)	098044(5)	098044(7)	098044(5)
4	Main Burner	98047	98047	98047	98047	98047
5	Main Burner w/Pilot Bracket	193873-1	193873-1	193873-1	193873-1	193873-1
6	Pilot Burner, Natural	<u>193314-4</u>	<u>193314-4</u>	<u>193314-4</u>	<u>193314-4</u>	<u>193314-4</u>
7	Pilot Burner, LP	<u>193314-3</u>	<u>193314-3</u>	<u>193314-3</u>	<u>193314-3</u>	<u>193314-3</u>
8	Floor Shield Assembly	193824	170259-3	193943	193864-1	193943
9	Collar	74060	74060	74060	74060	74060
<b>CLEANOUT ASSEMBLY</b>						
11	Gasket	99038	99038	99038	99038	99038
12	Pressure Plate	99037	99037	99037	99037	99037
13	Screws, Self Tapping	69852	69852	69852	69852	69852
17	Control, Ignition Module	<u>193325</u>	<u>193325</u>	<u>193325</u>	<u>193325</u>	<u>193325</u>
18	Control, Dual w/ECO	<u>192828</u>	<u>192828</u>	<u>192828</u>	<u>192828</u>	<u>192828</u>
19	Cover, Cleanout	181260	181260	181260	181260	181260
20	Cover, Inner	193608	193392	193392	193391	193392
21	Jacket Cover	97062-7	170256	170256	97062	170256
22a	Draffhood	191790	191790	193891	193891	193891
22b	Damper Drive Assembly	194484	194484	194484	194484	194484
22c	Harness Adapter	194459	194459	194459	194459	194459
23	Top Insulation	192867	192867	192867	41560-56	192867
<b>LABELS</b>						
24	L&O Label	193620	193620	193620	193620	193620
26	Cleanout	193914	193914	193914	193914	193914
27	*Bilingual Instruction	193912	193912	193912	193912	193912
28	*Ultra Coat	193860	193860	193860	193860	193860
29	*ECO Instruction	193911	193911	193911	193911	193911
30	*Flammable Vapors	192872	193911	192872	192872	192872
31	*Help Line	190600	190600	190600	190600	190600
32	*Instruction	170345	170345	170345	170345	170345
33	*Master Fit	193859	193859	193859	193859	193859
34	*Pilot	193915	193915	193915	193915	193915
35	*Propane	182572	182572	182572	182572	182572
36	*Relief Valve	200042	200042	200042	200042	200042
37	*Water Inlet	161040	161040	161040	161040	161040
38	*Water Outlet	161040-1	161040-1	161040-1	161040-1	161040-1
39	*Wiring Diagram	193621	193621	193621	193621	193621
40	Leg	193826	193826	193826	193826	193826
41	Manifold	76244-2	76244-2	76244-2	76244-3	76244-2
42	*Instruction Manual	195779	195779	195779	195779	195779
43	Main Burner Orifice, Natural	<u>76243-32</u>	<u>76243-32</u>	<u>76243-30</u>	<u>76243-33</u>	<u>76243-29</u>
44	Main Burner Orifice, LP	<u>76243-49</u>	<u>76243-48</u>	<u>76243-45</u>	<u>76243-51</u>	<u>76243-44</u>
45	Anode Rod	43817-38	180618-42	180618-42	43817-38	180618-42
46	T&P Relief Valve	99465-7	99465-7	192467	192467	192467
47	Transformer	193444	193444	193444	193444	193444
48	*Pilot Tubing	193729	1417-60	1417-60	1417-60	1417-60
49	Inlet Tube	193729	193729	192626	na	192626
50	Drain Valve	26273-6	26273-6	26273-6	26273-6	26273-6
51	Gas Valve Natural	<u>192827</u>	<u>192827</u>	<u>192827</u>	<u>192827</u>	<u>192827</u>
52	Gas Valve LP	<u>192827-1</u>	<u>192827-1</u>	<u>192827-1</u>	<u>192827-1</u>	<u>192827-1</u>
53	Wire Conduit	193456-1	193456-1	193456-1	193456-1	193456-1
54	Ground Wire	193448	77948-7	77948-7	77948-7	77948-7
55	Switch Panel/Mounting Plate	193448	193448	193448	193448	193448
56	Off/On Switch	193243	193243	193243	193243	193243
57	Bushing	193404	193404	193404	193404	193404
58	Jumper Wire	193476	193476	193476	193476	193476
59	Control Box Panel	193447	193447	193447	193447	193447
60	Cover - Burner	98185-2	98185-2	98185-2	98185-3	98185-2
61	The Eliminator	195098	195098	195098	195102	195098
62	Galvanized Pipe Union, 1 1/2"	195127	195127	195127	195127	195127

ITEM	PARTS DESCRIPTION	BTR 305/A	BTR 365/A	BTR 400/A	BTR 500/A
1	Flue Baffle	193595	193696	193995	193995
2	Jacket Base	193919	193986	193999	193986
3	Main Burner Orifice Bracket	098044(7)	098044(9)	098044(9)	098044(9)
4	Main Burner	192322	98047	192322	192322
5	Main Burner w/Pilot Bracket	193873	193873-1	193873	193873
6	Pilot Burner, Natural	193314-4	193314-4	193314-4	193314-4
7	Pilot Burner, LP	193314-3	193314-3	193314-3	193314-3
8	Floor Shield Assembly	193864-1	193984	193997	193984
9	Collar	74060	74060	74060	74060
<b>CLEANOUT ASSEMBLY</b>					
11	Gasket	99038	99038	99038	99038
12	Pressure Plate	99037	99037	99037	99037
13	Screws, Self Tapping	69852	69852	69852	69852
17	Control, Ignition Module	193325	193325	193325	193325
18	Control, Dual w/ECO	192828	192828	192828	192828
19	Cover, Cleanout	181260	181260	181260	181260
20	Cover, Inner	193391	193608	193392	193608
21	Jacket Cover	97062	97062-7	170256	97062-7
22a	Drafthood	193891	193891	193891	193891
22b	Damper Drive Assembly	194484	194484	194484	194484
22c	Harness Adapter	194459	194459	194459	194459
23	Top Insulation	41560-56	192867	192867	192867
<b>LABELS</b>					
24	L&O Label	193620	193620	193620	194008
26	Cleanout	193914	193914	193914	193914
27	*Bilingual Instruction	193912	193912	193912	193912
28	*Ultra Coat	193860	193860	193860	193860
29	*ECO Instruction	193911	193911	193911	193911
30	*Flammable Vapors	192872	192872	192872	192872
31	*Help Line	190600	190600	190600	190600
32	*Instruction	170345	170345	170345	170345
33	*Master Fit	193859	193859	193859	193859
34	*Pilot	193915	193915	193915	193915
35	*Propane	182572	182572	182572	182572
36	*Relief Valve	200042	200042	200042	200042
37	*Water Inlet	161040-0	161040-0	161040-0	161040-0
38	*Water Outlet	161040-1	161040-1	161040-1	161040-1
39	*Wiring Diagram	193621	193621	193621	193621
40	Leg	193826	193826	193826	194093
41	Manifold	76244-3	76244-4	76244-4	76244-4
42	*Instruction Manual	195779	195779	195779	195779
43	Main Burner Orifice, NAT	76243-37	76243-32	76243-31	76243-28
44	Main Burner Orifice, LP	76243-48	76243-49	76243-48	76243-44
45	Anode Rod	43817-38	180618-42	180618-42	180618-42
46	T&P Relief Valve	192467	192467	192467	192467
47	Transformer	193444	193444	193444	193444
48	*Pilot Tubing	1417-60	1417-60	1417-60	1417-60
49	Inlet Tube	na	192626	192626	192626
50	Drain Valve	26273-6	26273-6	26273-6	26273-6
51	Gas Valve Natural	192827-2	192827-2	192827-2	193366-0
52	Gas Valve LP	192827-3	192827-3	192827-3	193366-1
53	Wire Conduit	193456-1	193456-1	193456-1	193456-1
54	Ground Wire	77948-7	77948-7	77948-7	77948-7
55	Switch Panel/Mounting Plate	193448	193448	193448	193448
56	Off/On Switch	193243	193243	193243	193243
57	Bushing	193404	193404	193404	193404
58	Jumper Wire	193476	193476	193476	193476
59	Control Box Panel	193447	193447	193447	193447
60	Cover - Burner	98185-3	98185-4	98185-4	194111
61	The Eliminator	195102	195098	195098	195102
62	Galvanized Pipe Union, 1 1/2"	195127	195127	195127	195127

ITEM	PARTS DESCRIPTION	BTRC120	BTRC154	BTRC180	BTRC197	BTRC199
1	Flue Baffle	193595	192199-3	193795-0	193696	193795-0
2	Jacket Base	193862	193862	194166	194166	194166
3	Main Burner Orifice Bracket	98044(3)	98044(3)	98044(5)	98044(5)	98044(5)
4	Main Burner	98047	98047	98047	98047	98047
5	Main Burner w/Pilot Bracket	193873-1	193873-1	193873-1	193873-1	193873-1
6	Pilot Burner, Natural	<u>193314-4</u>	<u>193314-4</u>	<u>193314-4</u>	<u>193314-4</u>	<u>193314-4</u>
7	Pilot Burner, LP	<u>193314-3</u>	<u>193314-3</u>	<u>193314-3</u>	<u>193314-3</u>	<u>193314-3</u>
8	Floor Shield Assembly	193864	193864	194176	194176	194176
9	Collar	74060	74060	74060	74060	74060
<b>CLEANOUT ASSEMBLY</b>						
11	Gasket	99038	99038	99038	99038	99038
12	Pressure Plate	99037	99037	99037	99037	99037
13	Screws, Self Tapping	69852	69852	69852	69852	69852
17	Control, Ignition Module	<u>193325</u>	<u>193325</u>	<u>193325</u>	<u>193325</u>	<u>193325</u>
18	Control, Dual w/ECO	<u>192828</u>	<u>192828</u>	<u>192828</u>	<u>192828</u>	<u>192828</u>
19	Cover, Cleanout	181260	181260	181260	181260	181260
20	Cover, Inner	193393-1	193393-2	193608	193608	193608
21	Jacket Cover	97062-6	97062-6	97062-7	97062-7	97062-7
22a	Drafthood	193596	193596-1	193596-1	193596-1	193596-1
22b	Damper Drive Assembly	194484	194484	194484	194484	194484
22c	Harness Adapter	194459	194459	194459	194459	194459
23	Top Insulation	41560-56	41560-56	192867	192867	192867
<b>LABELS</b>						
24	L&O Label	193620	193620	193620	193620	193620
26	Cleanout	193914	193914	193914	193914	193914
27	*Bilingual Instruction	193912	193912	193912	193912	193912
28	*Ultra Coat	193860	193860	193860	193860	193860
29	*ECO Instruction	193911	193911	193911	193911	193911
30	*Flammable Vapors	192872	192872	192872	192872	192872
31	*Help Line	194179	194179	194179	194179	194179
32	*Instruction	194051	194051	194051	194051	194051
33	*Master Fit	193859	193859	193859	193859	193859
34	*Pilot	193915	193915	193915	193915	193915
35	*Propane	182572	182572	182572	182572	182572
36	*Relief Valve	200042	200042	200042	200042	200042
37	*Water Inlet	161040	161040	161040	161040	161040
38	*Water Outlet	161040-1	161040-1	161040-1	161040-1	161040-1
39	*Wiring Diagram	193621	193621	193621	193621	193621
40	Leg	193826	193826	193826	193826	193826
41	Manifold	76244-0	76244-0	76244-2	76244-2	76244-2
42	*Instruction Manual	195779	195779	195779	195779	195779
43	Main Burner Orifice, Natural	<u>76243-32</u>	<u>76243-30</u>	<u>76243-35</u>	<u>76243-32</u>	<u>76243-32</u>
44	Main Burner Orifice, LP	<u>76243-49</u>	<u>76243-46</u>	<u>76243-51</u>	<u>76243-49</u>	<u>76243-49</u>
45	Anode Rod	43817-38	43817-38	43817-38	43817-42	43817-38
46	T&P Relief Valve	99465-7	99465-7	99465-7	99465-7	99465-7
47	Transformer	193444	193444	193444	193444	193444
48	*Pilot Tubing	1417-60	1417-60	1417-60	1417-60	1417-60
49	Inlet Tube	193729	192626	193729	192626	193729
50	Drain Valve	26273-6	26273-6	26273-6	26273-6	26273-6
51	Gas Valve Natural	<u>192827</u>	<u>192827</u>	<u>192827</u>	<u>192827</u>	<u>192827</u>
52	Gas Valve LP	<u>192827-1</u>	<u>192827-1</u>	<u>192827-1</u>	<u>192827-1</u>	<u>192827-1</u>
53	Wire Conduit	193456-1	193456-1	193456-1	193456-1	193456-1
54	Ground Wire	77948-7	77948-7	77948-7	77948-7	77948-7
55	Switch Panel/Mounting Plate	193448	193448	193448	193448	193448
56	Off/On Switch	193243	193243	193243	193243	193243
57	Bushing	193404	193404	193404	193404	193404
58	Jumper Wire	193476	193476	193476	193476	193476
59	Control Box Panel	193447	193447	193447	193447	193447
60	Cover - Burner	98185	98185	98185-2	98185-2	98185-2
61	The Eliminator	195100	195100	195100	195100	195100
62	Galvanized Pipe Union, 1 1/2"	195127	195127	195127	195127	195127

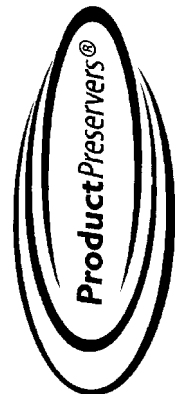
ITEM	PARTS DESCRIPTION	BTRC 200/A	BTRC250/A	BTRC251/A	BTRC275/A	BTRC305/A
1	Flue Baffle	193889	193595	193595	193945	193595
2	Jacket Base	192095	192095	193919	192095	193919
3	Main Burner Orifice Bracket	98044(5)	98044(5)	98044(7)	98044(5)	98044(7)
4	Main Burner	98047	98047	98047	98047	192322
5	Main Burner w/Pilot Bracket	193873-1	193873-1	193873-1	193873-1	193873
6	Pilot Burner, Natural	<u>193314-4</u>	<u>193314-4</u>	<u>193314-4</u>	<u>193314-4</u>	<u>193314-4</u>
7	Pilot Burner, LP	<u>193314-3</u>	<u>193314-3</u>	<u>193314-3</u>	<u>193314-3</u>	<u>193314-3</u>
8	Floor Shield Assembly	170259-3	193943	193864-1	193943	193864-1
9	Collar	74060	74060	na	74060	na
<b>CLEANOUT ASSEMBLY</b>						
11	Gasket	99038	99038	99038	99038	99038
12	Pressure Plate	99037	99037	99037	99037	99037
13	Screws, Self Tapping	69852	69852	69852	69852	69852
17	Control, Ignition Module	<u>193325</u>	<u>193325</u>	<u>193325</u>	<u>193325</u>	<u>193325</u>
18	Control, Dual w/ECO	<u>192828</u>	<u>192828</u>	<u>192828</u>	<u>192828</u>	<u>192828</u>
19	Cover, Cleanout	181260	181260	181260	181260	181260
20	Cover, Inner	193392	193393-2	193608	193608	193608
21	Jacket Cover	170256	97062-6	97062-7	97062-7	97062-7
22a	Drafthood	191790	193891	193891	193891	193891
22b	Damper Drive Assembly	194484	194484	194484	194484	194484
22c	Harness Adapter	194459	194459	194459	194459	194459
23	Top Insulation	192867	41560-56	192867	192867	192867
<b>LABELS</b>						
24	L&O Label	193620	193620	193620	193620	193620
26	Cleanout	193914	193914	193914	193914	193914
27	*Bilingual Instruction	193912	193912	193912	193912	193912
28	*Ultra Coat	193860	193860	193860	193860	193860
29	*ECO Instruction	193911	193911	193911	193911	193911
30	*Flammable Vapors	192872	192872	192872	192872	192872
31	*Help Line	194179	194179	194179	194179	194179
32	*Instruction	194051	194051	194051	194051	194051
33	*Master Fit	193859	193859	193859	193859	193859
34	*Pilot	193915	193915	193915	193915	193915
35	*Propane	182572	182572	182572	182572	182572
36	*Relief Valve	200042	200042	200042	200042	200042
37	*Water Inlet	161040	161040	161040	161040	161040
38	*Water Outlet	161040-1	161040-1	161040-1	161040-1	161040-1
39	*Wiring Diagram	193621	193621	193621	193621	193621
40	Leg	193826	193826	193826	193826	193826
41	Manifold	76244	76244	76244-2	76244-2	76244-2
42	*Instruction Manual	195779	195779	195779	195779	195779
43	Main Burner Orifice, Natural	<u>76243-32</u>	<u>76243-30</u>	<u>76243-35</u>	<u>76243-32</u>	<u>76243-32</u>
44	Main Burner Orifice, LP	<u>76243-48</u>	<u>76243-46</u>	<u>76243-51</u>	<u>76243-49</u>	<u>76243-49</u>
45	Anode Rod	180618-42	43817-38	43817-38	43817-42	43817-38
46	T&P Relief Valve	199467-7	192467	192467	192467	192467
47	Transformer	193444	193444	193444	193444	193444
48	*Pilot Tubing	1417-60	1417-60	1417-60	1417-60	1417-60
49	Inlet Tube	193729	192626	193729	192626	193729
50	Drain Valve	26273-6	26273-6	26273-6	26273-6	26273-6
51	Gas Valve Natural	<u>192827</u>	<u>192827</u>	<u>192827</u>	<u>192827</u>	<u>192827</u>
52	Gas Valve LP	<u>192827-1</u>	<u>192827-1</u>	<u>192827-1</u>	<u>192827-1</u>	<u>192827-1</u>
53	Wire Conduit	193456-1	193456-1	193456-1	193456-1	193456-1
54	Ground Wire	77948-7	77948-7	77948-7	77948-7	77948-7
55	Switch Panel/Mounting Plate	193448	193448	193448	193448	193448
56	Off/On Switch	193243	193243	193243	193243	193243
57	Bushing	193404	193404	193404	193404	193404
58	Jumper Wire	193476	193476	193476	193476	193476
59	Control Box Panel	193447	193447	193447	193447	193447
60	Cover - Burner	98185-2	98185-2	98185-2	98185-2	98185-2
61	The Eliminator	195098	195098	195102	195098	195102
62	Galvanized Pipe Union, 1 1/2"	195127	195127	195127	195127	195127

ITEM	PARTS DESCRIPTION	BTRC365/A	BTRC400/A	BTRC500/A
1	Flue Baffle	193945	193995	193995
2	Jacket Base	194164	193999	193986
3	Main Burner Orifice Bracket	098044(9)	098044(9)	098044(9)
4	Main Burner	98047	192322	98047
5	Main Burner w/Pilot Bracket	193873-1	193873-1	193873-1
6	Pilot Burner, Natural	<u>193314-4</u>	<u>193314-4</u>	<u>193314-4</u>
7	Pilot Burner, LP	<u>193314-3</u>	<u>193314-3</u>	<u>193314-3</u>
8	Floor Shield Assembly	194176	193997	193984
9	Collar	74060	74060	74060
<b>CLEANOUT ASSEMBLY</b>				
11	Gasket	99038	99038	99038
12	Pressure Plate	99037	99037	99037
13	Screws, Self Tapping	69852	69852	69852
17	Control, Ignition Module	<u>193325</u>	<u>193325</u>	<u>193325</u>
18	Control, Dual w/ECO	<u>192828</u>	<u>192828</u>	<u>192828</u>
19	Cover, Cleanout	181260	181260	181260
20	Cover, Inner	193608	193392	193608
21	Jacket Cover	97062-7	170256	97062-7
22a	Drafthood	193891	193891	193891
22b	Damper Drive Assembly	194484	194484	194484
22c	Harness Adapter	194459	194459	194459
23	Top Insulation	192867	192867	192867
<b>LABELS</b>				
24	L&O Label	193620	193620	194008
26	Cleanout	193914	193914	193914
27	*Bilingual Instruction	193912	193912	193912
28	*Ultra Coat	193860	193860	193860
29	*ECO Instruction	193911	193911	193911
30	*Flammable Vapors	192872	192872	192872
31	*Help Line	194179	194179	194179
32	*Instruction	194051	194051	194051
33	*Master Fit	193859	193859	193859
34	*Pilot	193915	193915	193915
35	*Propane	182572	182572	182572
36	*Relief Valve	200042	200042	200042
37	*Water Inlet	161040	161040	161040
38	*Water Outlet	161040-1	161040-1	161040-1
39	*Wiring Diagram	193621	193621	193621
40	Leg	193826	193826	194093
41	Manifold	76244-4	76244-4	76244-4
42	*Instruction Manual	195779	195779	195779
43	Main Burner Orifice, Natural	<u>76243-32</u>	<u>76243-31</u>	<u>76243-29</u>
44	Main Burner Orifice, LP	<u>76243-49</u>	<u>76243-48</u>	<u>76243-44</u>
45	Anode Rod	180618-42	180618-42	180618-42
46	T&P Relief Valve	192467	192467	192467
47	Transformer	193444	193444	193444
48	*Pilot Tubing	1417-60	1417-60	1417-60
49	Inlet Tube	192626	192626	192626
50	Drain Valve	26273-6	26273-6	26273-6
51	Gas Valve Natural	<u>192827-2</u>	<u>192827-2</u>	<u>193366</u>
52	Gas Valve LP	<u>192827-3</u>	<u>192827-3</u>	<u>193366-1</u>
53	Wire Conduit	193456-1	193456-1	193456-1
54	Ground Wire	77948-7	77948-7	77948-7
55	Switch Panel/Mounting Plate	193448	193448	193448
56	Off/On Switch	193243	193243	193243
57	Bushing	193404	193404	193404
58	Jumper Wire	193476	193476	193476
59	Control Box Panel	193447	193447	193447
60	Cover - Burner	98185-2	98185-2	98185-2
61	The Eliminator	195102	195098	195100
62	Galvanized Pipe Union, 1 1/2"	195127	195127	195127

NOTE: Underlined parts are recommended stock items for emergency replacement.  
Consider gas used in your area only. \*Not illustrated.

**A. O. SMITH WATER PRODUCTS COMPANY**  
5621 W. 115TH STREET • ALSIP, ILLINOIS 60803  
PHONE: 1-800-433-2545 • FAX: 1-800-433-2515  
Website: www.aosmithwaterheaters.com

**A. O. SMITH  
WATER PRODUCTS  
COMPANY**  
PSD / Alsip, IL





# A.O. SMITH

## WATER PRODUCTS COMPANY

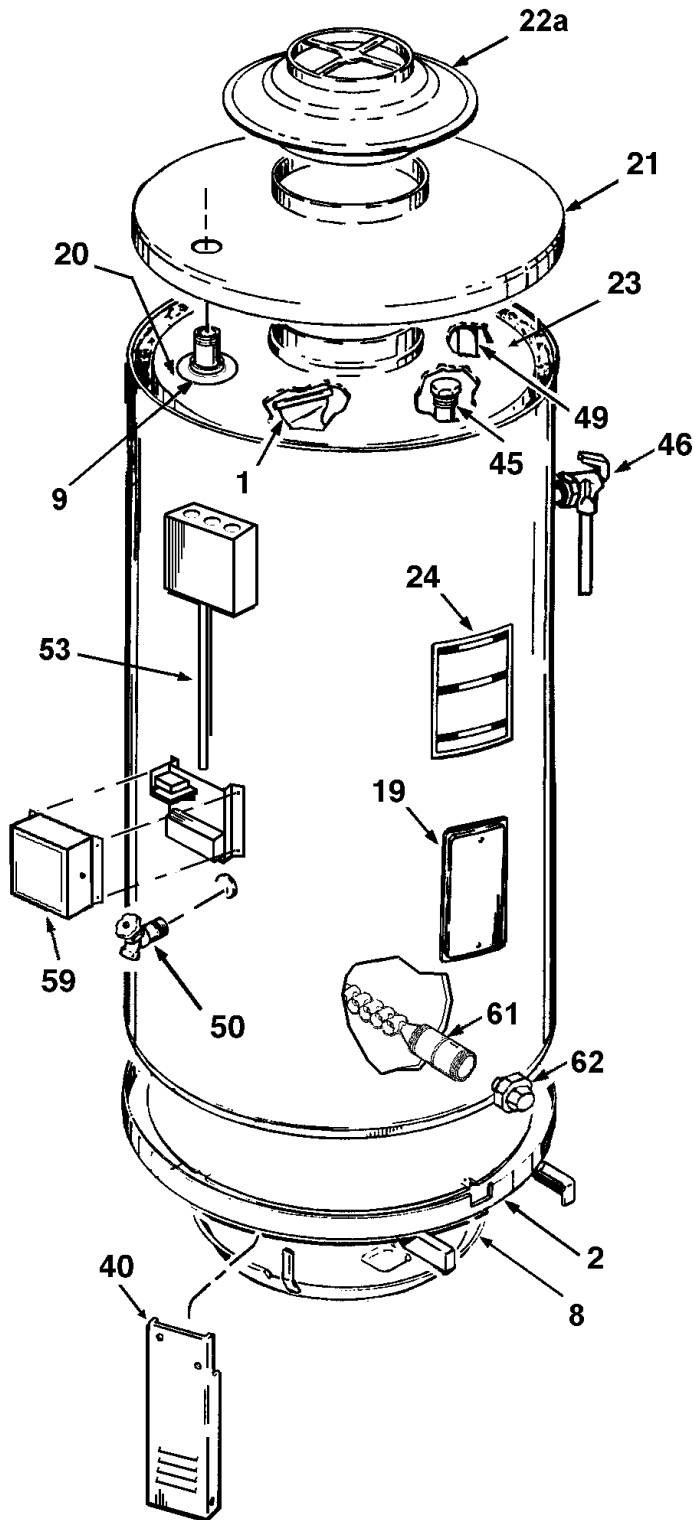
PSD-3-427/a

# GAS

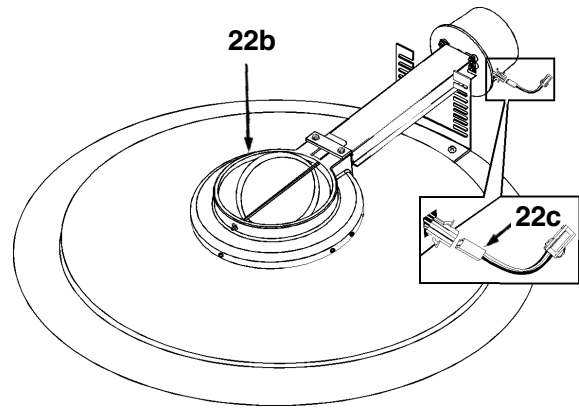
### COMMERCIAL TANK TYPE WATER HEATER

### REPLACEMENT PARTS LIST

MODELS BTR(C) 120 THRU 500A:  
STANDARD AND ASME (A)  
SERIES 104/105/106/107

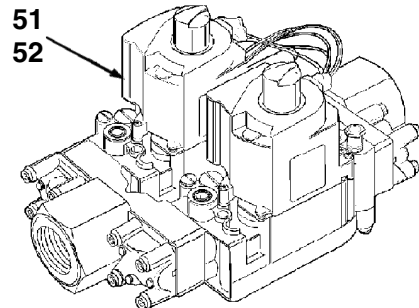


#### EFFIKAL DAMPER DRIVE ASSEMBLY

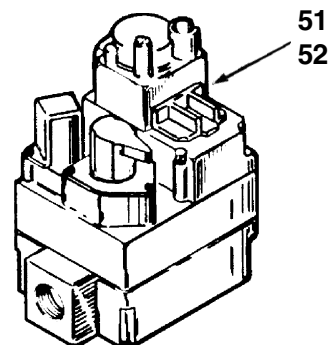


#### GAS VALVES

##### HONEYWELL VALVE BTR(C) 500A



##### WHITE RODGERS VALVE BTR(C) 120 - 400A



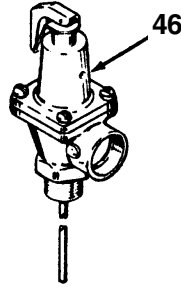
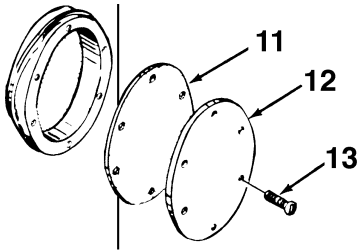
**A.O. SMITH WATER PRODUCTS COMPANY**

5621 W. 115TH STREET • ALSIP, ILLINOIS 60803

PHONE: 1-800-433-2545 • FAX: 1-800-433-2515

Website: [www.aosmithwaterheaters.com](http://www.aosmithwaterheaters.com)

### CLEANOUT ASSEMBLY



### WIRE TERMINALS



78468

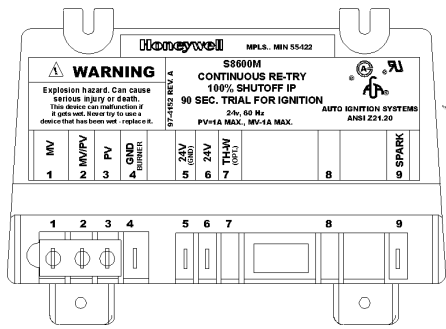


99593(.250 X .032)

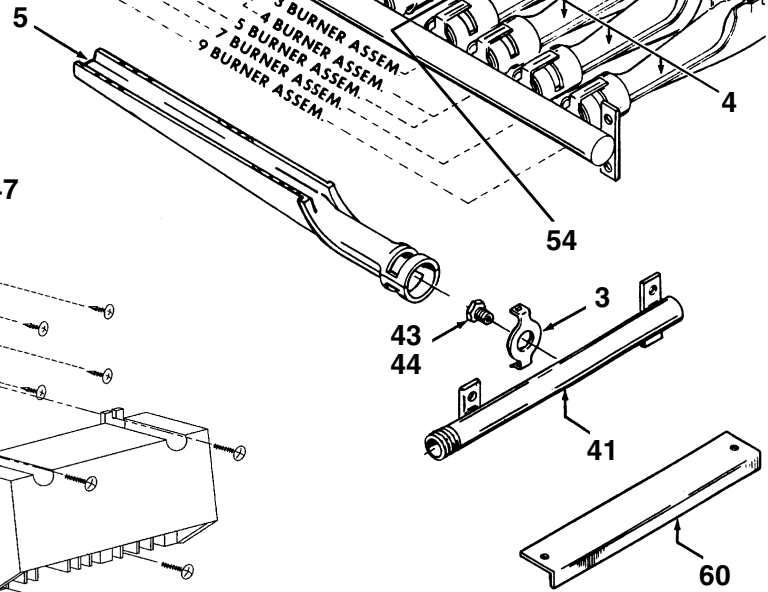
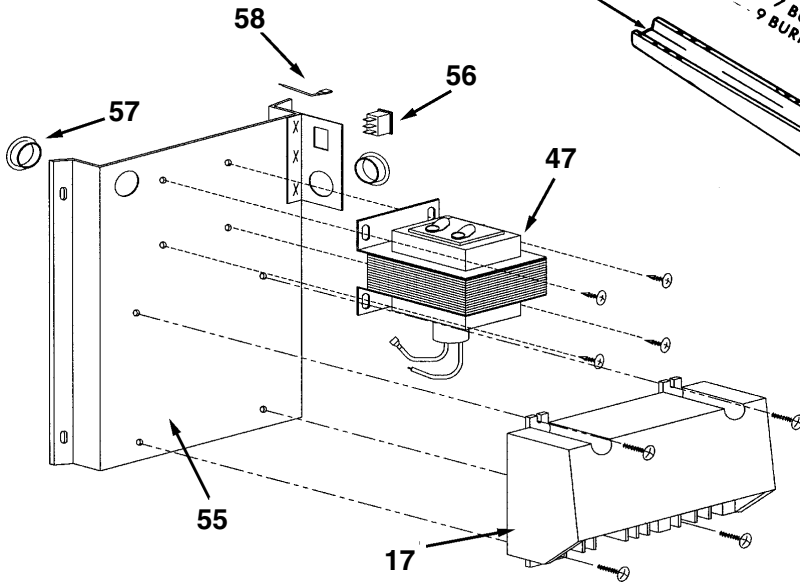
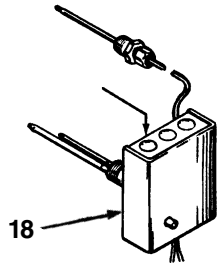
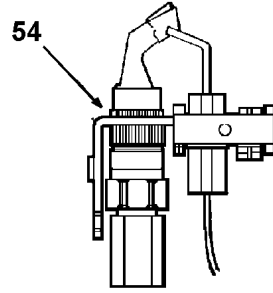


78469 (.250 X .032)  
192834 (.187 X .032)

### HONEYWELL CONTROL IGNITION MODULE



17



ITEM	PARTS DESCRIPTION	BTR 120	BTR 154	BTR 180	BTR 197	BTR 198
1	Flue Baffle	193595	192199-3	193795-1	193696	193696
2	Jacket Base	193862	193862	193819	193819	193819
3	Main Burner Orifice Bracket	98044(3)	98044(3)	98044(5)	98044(5)	98044(5)
4	Main Burner	98047	98047	98047	98047	98047
5	Main Burner w/Pilot Bracket	193873-1	193873-1	193873-1	193873-1	193873-1
6	Pilot Burner, Natural	<u>193314-4</u>	<u>193314-4</u>	<u>193314-4</u>	<u>193314-4</u>	<u>193314-4</u>
7	Pilot Burner, LP	<u>193314-3</u>	<u>193314-3</u>	<u>193314-3</u>	<u>193314-3</u>	<u>193314-3</u>
8	Floor Shield Assembly	193864	193864	193824	193824	193824
9	Collar	74060	74060	74060	74060	74060
<b>CLEANOUT ASSEMBLY</b>						
11	Gasket	99038	99038	99038	99038	99038
12	Pressure Plate	99037	99037	99037	99037	99037
13	Screws, Self Tapping	69852	69852	69852	69852	69852
17	Control, Ignition Module	<u>193325</u>	<u>193325</u>	<u>193325</u>	<u>193325</u>	<u>193325</u>
18	Control, Dual w/ECO	<u>192828</u>	<u>192828</u>	<u>192828</u>	<u>192828</u>	<u>192828</u>
19	Cover, Cleanout	181260	181260	181260	181260	181260
20	Cover, Inner	193393-1	193393-2	193608	193608	193608
21	Jacket Cover	97062-6	97062-6	97062-7	97062-7	97062-7
22a	Drafthood	193596	193596-1	191790	191790	191790
22b	Damper Drive Assembly	194484	194484	194484	194484	194484
22c	Harness Adapter	194459	194459	194459	194459	194459
23	Top Insulation	41560-56	41560-56	192867	192867	192867
<b>LABELS</b>						
24	L&O Label	193620	193620	193620	193620	193620
26	Cleanout	193914	193914	193914	193914	193914
27	*Bilingual Instruction	193912	193912	193912	193912	193912
28	*Ultra Coat	193860	193860	193860	193860	193860
29	*ECO Instruction	193911	193911	193911	193911	193911
30	*Flammable Vapors	192872	192872	192872	192872	192872
31	*Help Line	190600	190600	190600	190600	190600
32	*Instruction	170345	170345	170345	170345	170345
33	*Master Fit	193859	193859	193859	193859	193859
34	*Pilot	193915	193915	193915	193915	193915
35	*Propane	182572	182572	182572	182572	182572
36	*Relief Valve	200042	200042	200042	200042	200042
37	*Water Inlet	161040	161040	161040	161040	161040
38	*Water Outlet	161040-1	161040-1	161040-1	161040-1	161040-1
39	*Wiring Diagram	193621	193621	193621	193621	193621
40	Leg	193826	193826	193826	193826	193826
41	Manifold	76244	76244	76244-2	76244-2	76244-2
42	*Instruction Manual	195779	195779	195779	195779	195779
43	Main Burner Orifice, Natural	<u>76243-32</u>	<u>76243-30</u>	<u>76243-35</u>	<u>76243-32</u>	<u>76243-32</u>
44	Main Burner Orifice, LP	<u>76243-49</u>	<u>76243-46</u>	<u>76243-51</u>	<u>76243-49</u>	<u>76243-49</u>
45	Anode Rod	43817-38	43817-38	43817-38	43817-42	43817-42
46	T&P Relief Valve	99465-7	99465-7	99465-7	99465-7	99465-7
47	Transformer	193444	193444	193444	193444	193444
48	*Pilot Tubing	1417-60	1417-60	1417-60	1417-60	1417-60
49	Inlet Tube	193729	192626	193729	192626	192626
50	Drain Valve	26273-6	26273-6	26273-6	26273-6	26273-6
51	Gas Valve Natural	<u>192827</u>	<u>192827</u>	<u>192827</u>	<u>192827</u>	<u>192827</u>
52	Gas Valve LP	<u>192827-1</u>	<u>192827-1</u>	<u>192827-1</u>	<u>192827-1</u>	<u>192827-1</u>
53	Wire Conduit	193456-1	193456-1	193456-1	193456-1	193456-1
54	Ground Wire	77948-7	77948-7	77948-7	77948-7	77948-7
55	Switch Panel/Mounting Plate	193448	193448	193448	193448	193448
56	Off/On Switch	193243	193243	193243	193243	193243
57	Bushing	193404	193404	193404	193404	193404
58	Jumper Wire	193476	193476	193476	193476	193476
59	Control Box Panel	193447	193447	193447	193447	193447
60	Cover - Burner	98185	98185	98185-2	98185-2	98185-2
61	The Eliminator	195100	195100	195098	195098	195098
62	Galvanized Pipe Union, 1 1/2"	195127	195127	195127	195127	195127

ITEM	PARTS DESCRIPTION	BTR 199	BTR 200/A	BTR 250/A	BTR 251/A	BTR 275/A
1	Flue Baffle	193795-1	193889	193595	193595	193945
2	Jacket Base	193819	192095	192095	193919	192095
3	Main Burner Orifice Bracket	98044(5)	98044(5)	098044(5)	098044(7)	098044(5)
4	Main Burner	98047	98047	98047	98047	98047
5	Main Burner w/Pilot Bracket	193873-1	193873-1	193873-1	193873-1	193873-1
6	Pilot Burner, Natural	<u>193314-4</u>	<u>193314-4</u>	<u>193314-4</u>	<u>193314-4</u>	<u>193314-4</u>
7	Pilot Burner, LP	<u>193314-3</u>	<u>193314-3</u>	<u>193314-3</u>	<u>193314-3</u>	<u>193314-3</u>
8	Floor Shield Assembly	193824	170259-3	193943	193864-1	193943
9	Collar	74060	74060	74060	74060	74060
<b>CLEANOUT ASSEMBLY</b>						
11	Gasket	99038	99038	99038	99038	99038
12	Pressure Plate	99037	99037	99037	99037	99037
13	Screws, Self Tapping	69852	69852	69852	69852	69852
17	Control, Ignition Module	<u>193325</u>	<u>193325</u>	<u>193325</u>	<u>193325</u>	<u>193325</u>
18	Control, Dual w/ECO	<u>192828</u>	<u>192828</u>	<u>192828</u>	<u>192828</u>	<u>192828</u>
19	Cover, Cleanout	181260	181260	181260	181260	181260
20	Cover, Inner	193608	193392	193392	193391	193392
21	Jacket Cover	97062-7	170256	170256	97062	170256
22a	Drafthood	191790	191790	193891	193891	193891
22b	Damper Drive Assembly	194484	194484	194485	194485	194485
22c	Harness Adapter	194459	194459	194459	194459	194459
23	Top Insulation	192867	192867	192867	41560-56	192867
<b>LABELS</b>						
24	L&O Label	193620	193620	193620	193620	193620
26	Cleanout	193914	193914	193914	193914	193914
27	*Bilingual Instruction	193912	193912	193912	193912	193912
28	*Ultra Coat	193860	193860	193860	193860	193860
29	*ECO Instruction	193911	193911	193911	193911	193911
30	*Flammable Vapors	192872	193911	192872	192872	192872
31	*Help Line	190600	190600	190600	190600	190600
32	*Instruction	170345	170345	170345	170345	170345
33	*Master Fit	193859	193859	193859	193859	193859
34	*Pilot	193915	193915	193915	193915	193915
35	*Propane	182572	182572	182572	182572	182572
36	*Relief Valve	200042	200042	200042	200042	200042
37	*Water Inlet	161040	161040	161040	161040	161040
38	*Water Outlet	161040-1	161040-1	161040-1	161040-1	161040-1
39	*Wiring Diagram	193621	193621	193621	193621	193621
40	Leg	193826	193826	193826	193826	193826
41	Manifold	76244-2	76244-2	76244-2	76244-3	76244-2
42	*Instruction Manual	195779	195779	195779	195779	195779
43	Main Burner Orifice, Natural	<u>76243-32</u>	<u>76243-32</u>	<u>76243-30</u>	<u>76243-33</u>	<u>76243-29</u>
44	Main Burner Orifice, LP	<u>76243-49</u>	<u>76243-48</u>	<u>76243-45</u>	<u>76243-51</u>	<u>76243-44</u>
45	Anode Rod	43817-38	180618-42	180618-42	43817-38	180618-42
46	T&P Relief Valve	99465-7	99465-7	192467	192467	192467
47	Transformer	193444	193444	193444	193444	193444
48	*Pilot Tubing	193729	1417-60	1417-60	1417-60	1417-60
49	Inlet Tube	193729	193729	192626	na	192626
50	Drain Valve	26273-6	26273-6	26273-6	26273-6	26273-6
51	Gas Valve Natural	<u>192827</u>	<u>192827</u>	<u>192827</u>	<u>192827</u>	<u>192827</u>
52	Gas Valve LP	<u>192827-1</u>	<u>192827-1</u>	<u>192827-1</u>	<u>192827-1</u>	<u>192827-1</u>
53	Wire Conduit	193456-1	193456-1	193456-1	193456-1	193456-1
54	Ground Wire	193448	77948-7	77948-7	77948-7	77948-7
55	Switch Panel/Mounting Plate	193448	193448	193448	193448	193448
56	Off/On Switch	193243	193243	193243	193243	193243
57	Bushing	193404	193404	193404	193404	193404
58	Jumper Wire	193476	193476	193476	193476	193476
59	Control Box Panel	193447	193447	193447	193447	193447
60	Cover - Burner	98185-2	98185-2	98185-2	98185-3	98185-2
61	The Eliminator	195098	195098	195098	195102	195098
62	Galvanized Pipe Union, 1 1/2"	195127	195127	195127	195127	195127

ITEM	PARTS DESCRIPTION	BTR 305/A	BTR 365/A	BTR 400/A	BTR 500/A
1	Flue Baffle	193595	193696	193995	193995
2	Jacket Base	193919	193986	193999	193986
3	Main Burner Orifice Bracket	098044(7)	098044(9)	098044(9)	098044(9)
4	Main Burner	192322	98047	192322	192322
5	Main Burner w/Pilot Bracket	193873	193873-1	193873	193873
6	Pilot Burner, Natural	193314-4	193314-4	193314-4	193314-4
7	Pilot Burner, LP	193314-3	193314-3	193314-3	193314-3
8	Floor Shield Assembly	193864-1	193984	193997	193984
9	Collar	74060	74060	74060	74060
<b>CLEANOUT ASSEMBLY</b>					
11	Gasket	99038	99038	99038	99038
12	Pressure Plate	99037	99037	99037	99037
13	Screws, Self Tapping	69852	69852	69852	69852
17	Control, Ignition Module	193325	193325	193325	193325
18	Control, Dual w/ECO	192828	192828	192828	192828
19	Cover, Cleanout	181260	181260	181260	181260
20	Cover, Inner	193391	193608	193392	193608
21	Jacket Cover	97062	97062-7	170256	97062-7
22a	Drafthood	193891	193891	193891	193891
22b	Damper Drive Assembly	194485	194485	194485	194485
22c	Harness Adapter	194459	194459	194459	194459
23	Top Insulation	41560-56	192867	192867	192867
<b>LABELS</b>					
24	L&O Label	193620	193620	193620	194008
26	Cleanout	193914	193914	193914	193914
27	*Bilingual Instruction	193912	193912	193912	193912
28	*Ultra Coat	193860	193860	193860	193860
29	*ECO Instruction	193911	193911	193911	193911
30	*Flammable Vapors	192872	192872	192872	192872
31	*Help Line	190600	190600	190600	190600
32	*Instruction	170345	170345	170345	170345
33	*Master Fit	193859	193859	193859	193859
34	*Pilot	193915	193915	193915	193915
35	*Propane	182572	182572	182572	182572
36	*Relief Valve	200042	200042	200042	200042
37	*Water Inlet	161040-0	161040-0	161040-0	161040-0
38	*Water Outlet	161040-1	161040-1	161040-1	161040-1
39	*Wiring Diagram	193621	193621	193621	193621
40	Leg	193826	193826	193826	194093
41	Manifold	76244-3	76244-4	76244-4	76244-4
42	*Instruction Manual	195779	195779	195779	195779
43	Main Burner Orifice, NAT	76243-37	76243-32	76243-31	76243-28
44	Main Burner Orifice, LP	76243-48	76243-49	76243-48	76243-44
45	Anode Rod	43817-38	180618-42	180618-42	180618-42
46	T&P Relief Valve	192467	192467	192467	192467
47	Transformer	193444	193444	193444	193444
48	*Pilot Tubing	1417-60	1417-60	1417-60	1417-60
49	Inlet Tube	na	192626	192626	192626
50	Drain Valve	26273-6	26273-6	26273-6	26273-6
51	Gas Valve Natural	192827-2	192827-2	192827-2	193366-0
52	Gas Valve LP	192827-3	192827-3	192827-3	193366-1
53	Wire Conduit	193456-1	193456-1	193456-1	193456-1
54	Ground Wire	77948-7	77948-7	77948-7	77948-7
55	Switch Panel/Mounting Plate	193448	193448	193448	193448
56	Off/On Switch	193243	193243	193243	193243
57	Bushing	193404	193404	193404	193404
58	Jumper Wire	193476	193476	193476	193476
59	Control Box Panel	193447	193447	193447	193447
60	Cover - Burner	98185-3	98185-4	98185-4	194111
61	The Eliminator	195102	195098	195098	195102
62	Galvanized Pipe Union, 1 1/2"	195127	195127	195127	195127

ITEM	PARTS DESCRIPTION	BTRC120	BTRC154	BTRC180	BTRC197	BTRC199
1	Flue Baffle	193595	192199-3	193795-0	193696	193795-0
2	Jacket Base	193862	193862	194166	194166	194166
3	Main Burner Orifice Bracket	98044(3)	98044(3)	98044(5)	98044(5)	98044(5)
4	Main Burner	98047	98047	98047	98047	98047
5	Main Burner w/Pilot Bracket	193873-1	193873-1	193873-1	193873-1	193873-1
6	Pilot Burner, Natural	<u>193314-4</u>	<u>193314-4</u>	<u>193314-4</u>	<u>193314-4</u>	<u>193314-4</u>
7	Pilot Burner, LP	<u>193314-3</u>	<u>193314-3</u>	<u>193314-3</u>	<u>193314-3</u>	<u>193314-3</u>
8	Floor Shield Assembly	193864	193864	194176	194176	194176
9	Collar	74060	74060	74060	74060	74060
<b>CLEANOUT ASSEMBLY</b>						
11	Gasket	99038	99038	99038	99038	99038
12	Pressure Plate	99037	99037	99037	99037	99037
13	Screws, Self Tapping	69852	69852	69852	69852	69852
17	Control, Ignition Module	<u>193325</u>	<u>193325</u>	<u>193325</u>	<u>193325</u>	<u>193325</u>
18	Control, Dual w/ECO	<u>192828</u>	<u>192828</u>	<u>192828</u>	<u>192828</u>	<u>192828</u>
19	Cover, Cleanout	181260	181260	181260	181260	181260
20	Cover, Inner	193393-1	193393-2	193608	193608	193608
21	Jacket Cover	97062-6	97062-6	97062-7	97062-7	97062-7
22a	Drafthood	193596	193596-1	193596-1	193596-1	193596-1
22b	Damper Drive Assembly	194484	194484	194484	194484	194484
22c	Harness Adapter	194459	194459	194459	194459	194459
23	Top Insulation	41560-56	41560-56	192867	192867	192867
<b>LABELS</b>						
24	L&O Label	193620	193620	193620	193620	193620
26	Cleanout	193914	193914	193914	193914	193914
27	*Bilingual Instruction	193912	193912	193912	193912	193912
28	*Ultra Coat	193860	193860	193860	193860	193860
29	*ECO Instruction	193911	193911	193911	193911	193911
30	*Flammable Vapors	192872	192872	192872	192872	192872
31	*Help Line	194179	194179	194179	194179	194179
32	*Instruction	194051	194051	194051	194051	194051
33	*Master Fit	193859	193859	193859	193859	193859
34	*Pilot	193915	193915	193915	193915	193915
35	*Propane	182572	182572	182572	182572	182572
36	*Relief Valve	200042	200042	200042	200042	200042
37	*Water Inlet	161040	161040	161040	161040	161040
38	*Water Outlet	161040-1	161040-1	161040-1	161040-1	161040-1
39	*Wiring Diagram	193621	193621	193621	193621	193621
40	Leg	193826	193826	193826	193826	193826
41	Manifold	76244-0	76244-0	76244-2	76244-2	76244-2
42	*Instruction Manual	195779	195779	195779	195779	195779
43	Main Burner Orifice, Natural	<u>76243-32</u>	<u>76243-30</u>	<u>76243-35</u>	<u>76243-32</u>	<u>76243-32</u>
44	Main Burner Orifice, LP	<u>76243-49</u>	<u>76243-46</u>	<u>76243-51</u>	<u>76243-49</u>	<u>76243-49</u>
45	Anode Rod	43817-38	43817-38	43817-38	43817-42	43817-38
46	T&P Relief Valve	99465-7	99465-7	99465-7	99465-7	99465-7
47	Transformer	193444	193444	193444	193444	193444
48	*Pilot Tubing	1417-60	1417-60	1417-60	1417-60	1417-60
49	Inlet Tube	193729	192626	193729	192626	193729
50	Drain Valve	26273-6	26273-6	26273-6	26273-6	26273-6
51	Gas Valve Natural	<u>192827</u>	<u>192827</u>	<u>192827</u>	<u>192827</u>	<u>192827</u>
52	Gas Valve LP	<u>192827-1</u>	<u>192827-1</u>	<u>192827-1</u>	<u>192827-1</u>	<u>192827-1</u>
53	Wire Conduit	193456-1	193456-1	193456-1	193456-1	193456-1
54	Ground Wire	77948-7	77948-7	77948-7	77948-7	77948-7
55	Switch Panel/Mounting Plate	193448	193448	193448	193448	193448
56	Off/On Switch	193243	193243	193243	193243	193243
57	Bushing	193404	193404	193404	193404	193404
58	Jumper Wire	193476	193476	193476	193476	193476
59	Control Box Panel	193447	193447	193447	193447	193447
60	Cover - Burner	98185	98185	98185-2	98185-2	98185-2
61	The Eliminator	195100	195100	195100	195100	195100
62	Galvanized Pipe Union, 1 1/2"	195127	195127	195127	195127	195127

ITEM	PARTS DESCRIPTION	BTRC200/A	BTRC250/A	BTRC251/A	BTRC275/A	BTRC305/A
1	Flue Baffle	193889	193595	193595	193945	193595
2	Jacket Base	192095	192095	193919	192095	193919
3	Main Burner Orifice Bracket	98044(5)	98044(5)	98044(7)	98044(5)	98044(7)
4	Main Burner	98047	98047	98047	98047	192322
5	Main Burner w/Pilot Bracket	193873-1	193873-1	193873-1	193873-1	193873
6	Pilot Burner, Natural	<u>193314-4</u>	<u>193314-4</u>	<u>193314-4</u>	<u>193314-4</u>	<u>193314-4</u>
7	Pilot Burner, LP	<u>193314-3</u>	<u>193314-3</u>	<u>193314-3</u>	<u>193314-3</u>	<u>193314-3</u>
8	Floor Shield Assembly	170259-3	193943	193864-1	193943	193864-1
9	Collar	74060	74060	na	74060	na
<b>CLEANOUT ASSEMBLY</b>						
11	Gasket	99038	99038	99038	99038	99038
12	Pressure Plate	99037	99037	99037	99037	99037
13	Screws, Self Tapping	69852	69852	69852	69852	69852
17	Control, Ignition Module	<u>193325</u>	<u>193325</u>	<u>193325</u>	<u>193325</u>	<u>193325</u>
18	Control, Dual w/ECO	<u>192828</u>	<u>192828</u>	<u>192828</u>	<u>192828</u>	<u>192828</u>
19	Cover, Cleanout	181260	181260	181260	181260	181260
20	Cover, Inner	193392	193393-2	193608	193608	193608
21	Jacket Cover	170256	97062-6	97062-7	97062-7	97062-7
22a	Drafthood	191790	193891	193891	193891	193891
22b	Damper Drive Assembly	194484	194485	194485	194485	194485
22c	Harness Adapter	194459	194459	194459	194459	194459
23	Top Insulation	192867	41560-56	192867	192867	192867
<b>LABELS</b>						
24	L&O Label	193620	193620	193620	193620	193620
26	Cleanout	193914	193914	193914	193914	193914
27	*Bilingual Instruction	193912	193912	193912	193912	193912
28	*Ultra Coat	193860	193860	193860	193860	193860
29	*ECO Instruction	193911	193911	193911	193911	193911
30	*Flammable Vapors	192872	192872	192872	192872	192872
31	*Help Line	194179	194179	194179	194179	194179
32	*Instruction	194051	194051	194051	194051	194051
33	*Master Fit	193859	193859	193859	193859	193859
34	*Pilot	193915	193915	193915	193915	193915
35	*Propane	182572	182572	182572	182572	182572
36	*Relief Valve	200042	200042	200042	200042	200042
37	*Water Inlet	161040	161040	161040	161040	161040
38	*Water Outlet	161040-1	161040-1	161040-1	161040-1	161040-1
39	*Wiring Diagram	193621	193621	193621	193621	193621
40	Leg	193826	193826	193826	193826	193826
41	Manifold	76244	76244	76244-2	76244-2	76244-2
42	*Instruction Manual	195779	195779	195779	195779	195779
43	Main Burner Orifice, Natural	<u>76243-32</u>	<u>76243-30</u>	<u>76243-35</u>	<u>76243-32</u>	<u>76243-32</u>
44	Main Burner Orifice, LP	<u>76243-48</u>	<u>76243-46</u>	<u>76243-51</u>	<u>76243-49</u>	<u>76243-49</u>
45	Anode Rod	180618-42	43817-38	43817-38	43817-42	43817-38
46	T&P Relief Valve	199467-7	192467	192467	192467	192467
47	Transformer	193444	193444	193444	193444	193444
48	*Pilot Tubing	1417-60	1417-60	1417-60	1417-60	1417-60
49	Inlet Tube	193729	192626	193729	192626	193729
50	Drain Valve	26273-6	26273-6	26273-6	26273-6	26273-6
51	Gas Valve Natural	<u>192827</u>	<u>192827</u>	<u>192827</u>	<u>192827</u>	<u>192827</u>
52	Gas Valve LP	<u>192827-1</u>	<u>192827-1</u>	<u>192827-1</u>	<u>192827-1</u>	<u>192827-1</u>
53	Wire Conduit	193456-1	193456-1	193456-1	193456-1	193456-1
54	Ground Wire	77948-7	77948-7	77948-7	77948-7	77948-7
55	Switch Panel/Mounting Plate	193448	193448	193448	193448	193448
56	Off/On Switch	193243	193243	193243	193243	193243
57	Bushing	193404	193404	193404	193404	193404
58	Jumper Wire	193476	193476	193476	193476	193476
59	Control Box Panel	193447	193447	193447	193447	193447
60	Cover - Burner	98185-2	98185-2	98185-2	98185-2	98185-2
61	The Eliminator	195098	195098	195102	195098	195102
62	Galvanized Pipe Union, 1 1/2"	195127	195127	195127	195127	195127

ITEM	PARTS DESCRIPTION	BTRC365/A	BTRC400/A	BTRC500/A
1	Flue Baffle	193945	193995	193995
2	Jacket Base	194164	193999	193986
3	Main Burner Orifice Bracket	098044(9)	098044(9)	098044(9)
4	Main Burner	98047	192322	98047
5	Main Burner w/Pilot Bracket	193873-1	193873-1	193873-1
6	Pilot Burner, Natural	<u>193314-4</u>	<u>193314-4</u>	<u>193314-4</u>
7	Pilot Burner, LP	<u>193314-3</u>	<u>193314-3</u>	<u>193314-3</u>
8	Floor Shield Assembly	194176	193997	193984
9	Collar	74060	74060	74060
<b>CLEANOUT ASSEMBLY</b>				
11	Gasket	99038	99038	99038
12	Pressure Plate	99037	99037	99037
13	Screws, Self Tapping	69852	69852	69852
17	Control, Ignition Module	<u>193325</u>	<u>193325</u>	<u>193325</u>
18	Control, Dual w/ECO	<u>192828</u>	<u>192828</u>	<u>192828</u>
19	Cover, Cleanout	181260	181260	181260
20	Cover, Inner	193608	193392	193608
21	Jacket Cover	97062-7	170256	97062-7
22a	Drafthood	193891	193891	193891
22b	Damper Drive Assembly	194485	194485	194485
22c	Harness Adapter	194459	194459	194459
23	Top Insulation	192867	192867	192867
<b>LABELS</b>				
24	L&O Label	193620	193620	194008
26	Cleanout	193914	193914	193914
27	*Bilingual Instruction	193912	193912	193912
28	*Ultra Coat	193860	193860	193860
29	*ECO Instruction	193911	193911	193911
30	*Flammable Vapors	192872	192872	192872
31	*Help Line	194179	194179	194179
32	*Instruction	194051	194051	194051
33	*Master Fit	193859	193859	193859
34	*Pilot	193915	193915	193915
35	*Propane	182572	182572	182572
36	*Relief Valve	200042	200042	200042
37	*Water Inlet	161040	161040	161040
38	*Water Outlet	161040-1	161040-1	161040-1
39	*Wiring Diagram	193621	193621	193621
40	Leg	193826	193826	194093
41	Manifold	76244-4	76244-4	76244-4
42	*Instruction Manual	195779	195779	195779
43	Main Burner Orifice, Natural	<u>76243-32</u>	<u>76243-31</u>	<u>76243-29</u>
44	Main Burner Orifice, LP	<u>76243-49</u>	<u>76243-48</u>	<u>76243-44</u>
45	Anode Rod	180618-42	180618-42	180618-42
46	T&P Relief Valve	192467	192467	192467
47	Transformer	193444	193444	193444
48	*Pilot Tubing	1417-60	1417-60	1417-60
49	Inlet Tube	192626	192626	192626
50	Drain Valve	26273-6	26273-6	26273-6
51	Gas Valve Natural	<u>192827-2</u>	<u>192827-2</u>	<u>193366</u>
52	Gas Valve LP	<u>192827-3</u>	<u>192827-3</u>	<u>193366-1</u>
53	Wire Conduit	193456-1	193456-1	193456-1
54	Ground Wire	77948-7	77948-7	77948-7
55	Switch Panel/Mounting Plate	193448	193448	193448
56	Off/On Switch	193243	193243	193243
57	Bushing	193404	193404	193404
58	Jumper Wire	193476	193476	193476
59	Control Box Panel	193447	193447	193447
60	Cover - Burner	98185-2	98185-2	98185-2
61	The Eliminator	195102	195098	195100
62	Galvanized Pipe Union, 1 1/2"	195127	195127	195127

NOTE: Underlined parts are recommended stock items for emergency replacement.  
Consider gas used in your area only. \*Not illustrated.

**A. O. SMITH WATER PRODUCTS COMPANY**  
5621 W. 115TH STREET • ALSIP, ILLINOIS 60803  
PHONE: 1-800-433-2545 • FAX: 1-800-433-2515  
Website: [www.aosmithwaterheaters.com](http://www.aosmithwaterheaters.com)

**A. O. SMITH  
WATER PRODUCTS  
COMPANY**  
PSD / Alsip, IL

