

# A. O. SMITH

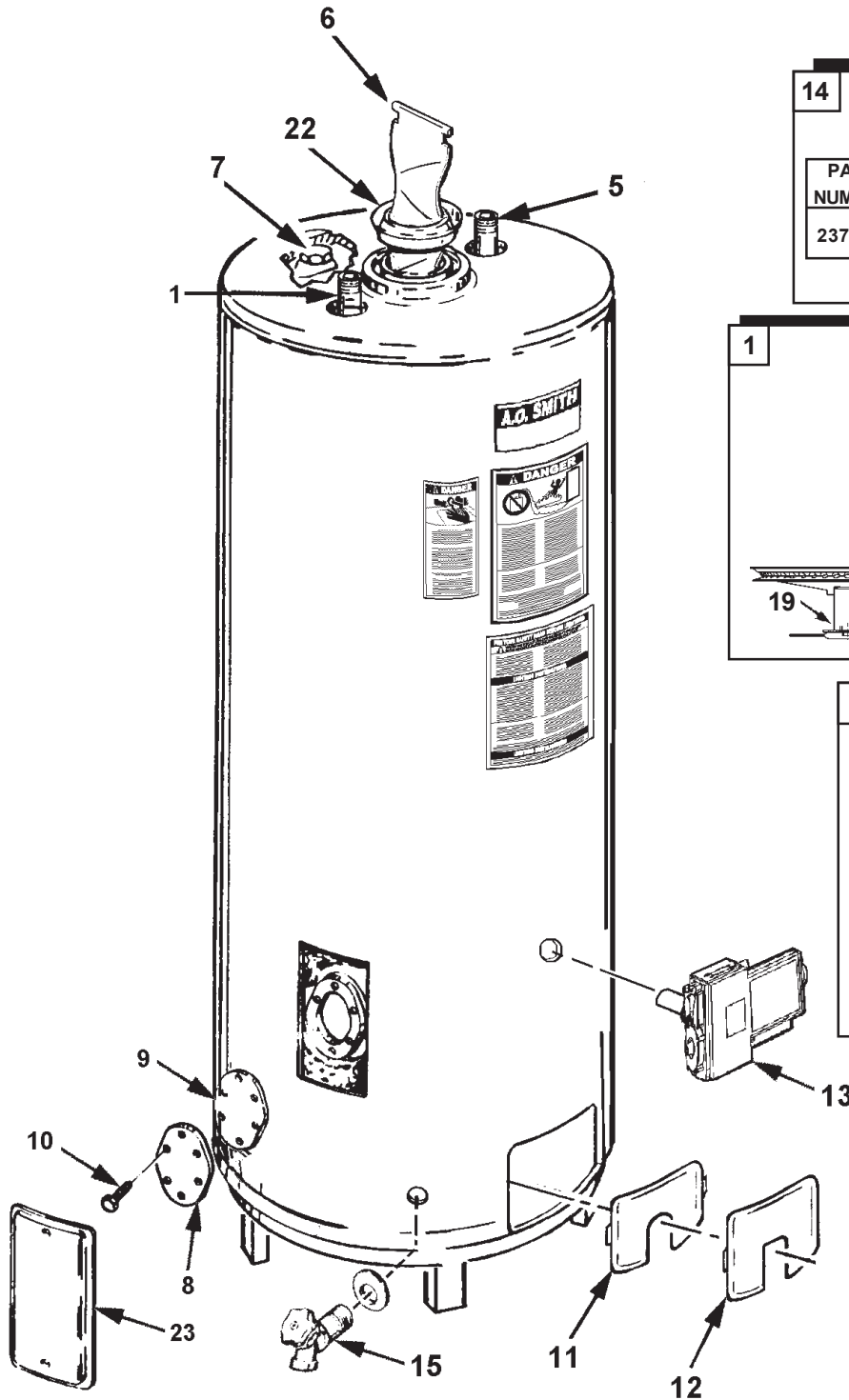
## WATER PRODUCTS COMPANY

PSD-3-435/A

# GAS

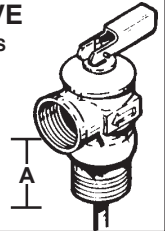
COMMERCIAL WATER HEATERS  
REPLACEMENT PARTS LIST

MODELS BTI - 80  
SERIES 104 - 110  
MODELS BTI - 100  
SERIES 104-105

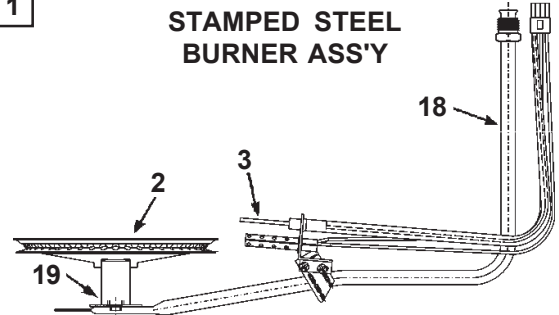


**14 3/4" T&P RELIEF VALVE**  
AUTOMATIC, SELF-CLOSING TYPES

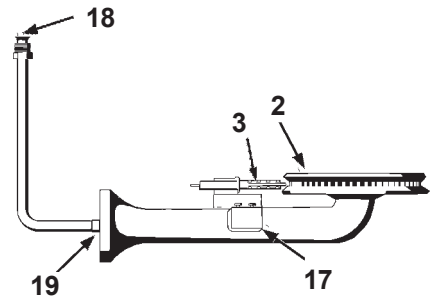
PART NUMBER	PRESS	A =	TEMP RELIEF
23740-1	150 LBS.	1 7/8"	210°



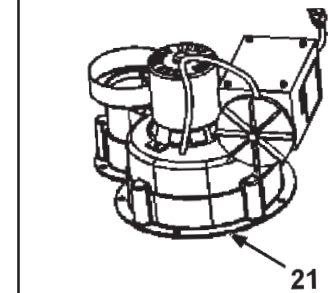
**1 STAMPED STEEL BURNER ASS'Y**



**1 CAST IRON BURNER ASS'Y**



**4 BLOWER ASSEMBLY**



A. O. SMITH WATER PRODUCTS CO., INC.  
5621 W. 115TH STREET • ALSIP, ILLINOIS 60803  
PHONE: 1-800-433-2545 • FAX: 1-800-433-2515  
[www.hotwater.com/parts](http://www.hotwater.com/parts)

Item	Qty.	Description	BTI 80 104 Natural	BTI 80 105 Propane	BTI 80 110 Natural	BTI 100 104 Natural	BTI 100 105 Propane
1	1	Pipe Nipple	43879-1	43879-1	43879-1	41319	41319
2	1	Burner	41157-5	41157-5	194723	41157-6	41157-6
3	1	Igniter/Flame Sensor	194057	194057	194057	194057	194057
4	1	Blower	194053	194053	194053	194053	194053
5	1	Inlet Tube	194054	194054	194054-1	194054-1	194054-1
6	1	Flue Baffle Assembly	194055	194055	194056	194056	194056
7	1	Anode Rod	43817-38	43817-38	43817-50	43817-50	43817-50
8	1	Cleanout Cover	99037	99037	99037	99037	99037
9	1	Cleanout Gasket	99038	99038	99038	99038	99038
10	1	Cleanout Screw	69852-1	69852-1	69852-1	69852-1	69852-1
11	1	Inner Door	39923	39923	39923	39923	39923
12	1	Outer Door	39112-1	39112-1	39112-1	39112-1	39112-1
13	1	Thermostat, SmartValve™	183082-4	183082-5	183082-4	183082-4	183082-5
14	1	T & P Relief Valve	23740-1	23740-1	23740-1	23740-1	23740-1
15	1	Drain Valve	26273-7	26273-7	26273-7	26273-7	26273-7
16	1	6 Conductor Cable	194453	194453	194453	194453	194453
* 17	1	Ignitor Bracket	194204	194204	- - - -	194204	194204
18	1	Burner Tube	39114-5	181784-3	194603-2	39114-5	181784-3
19	1	Orifice	29336-20	181510-38	181508-19	29336-14	181510-38
20	1	Manual	194205	194205	194205	194205	194205
21	1	Blower Gasket	194211	194211	194211	194211	194211
* 22	1	Flue Restrictor	35405	35405	35405	35405	35405
* 23	1	Front Cover	181260-230	181260-230	181260-230	181260-230	181260-230

\* Not Illustrated

BTI 80 - 100

**A.O. SMITH**  
**WATER PRODUCTS**  
**COMPANY**

**A.O. SMITH WATER PRODUCTS CO., INC.**  
5621 W. 115TH STREET • ALSIP, ILLINOIS 60803  
Phone: 1-800-433-2545 • Fax: 1-800-433-2515  
www.hotwater • e-mail: parts@hotwater.com