

A.O. SMITH

WATER PRODUCTS COMPANY

GAS

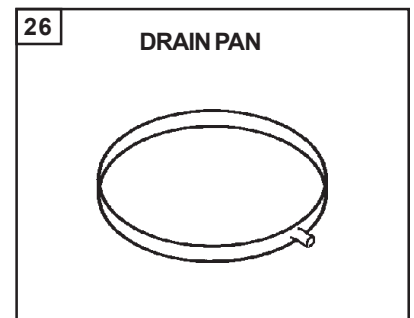
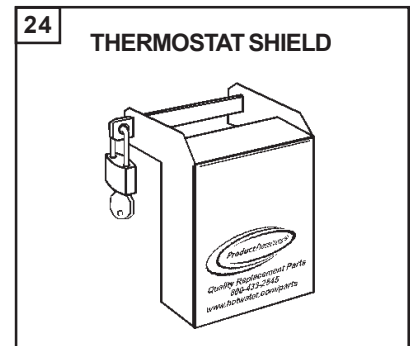
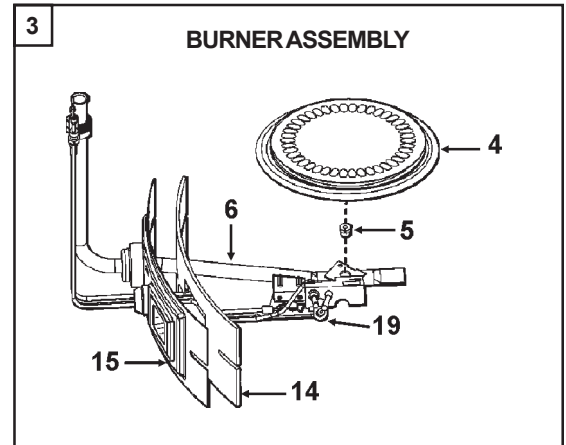
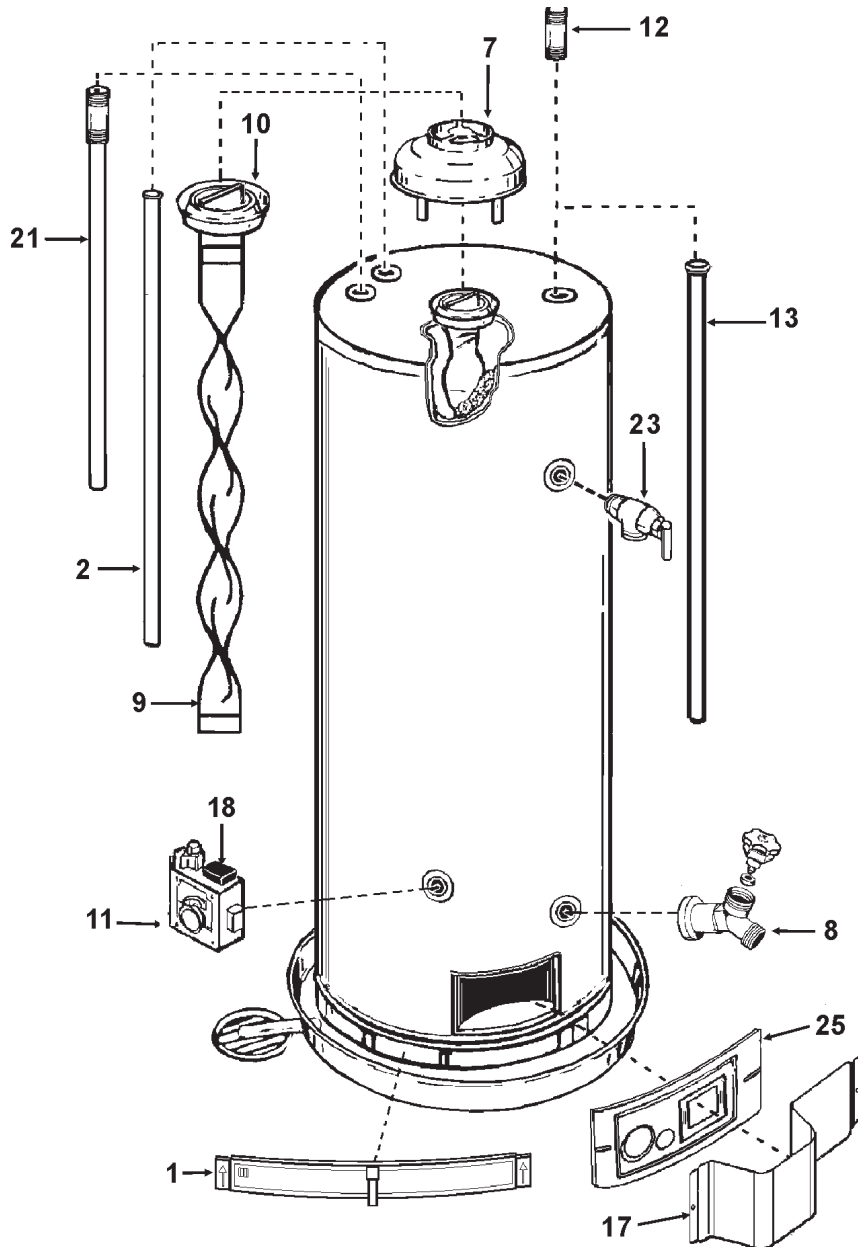
RESIDENTIAL WATER HEATER PARTS LIST

MODELS: GVG-40, 50

GVGL-30, 40

XVGL-40

ENERGY SAVER



A.O. SMITH WATER PRODUCTS COMPANY

5621 W. 115TH STREET • ALSIP, ILLINOIS 60803

Phone: 1-800-433-2545 • Fax: 1-800-433-2515

Website: www.hotwater.com • E-mail: parts@hotwater.com

Item	Description	GVG/GVGL-40		
		GVGL-30	XVGL-40	GVG-50
1	Air Intake Screen	183159-000	183159-000	183159-000
2	Anode Rod	183523-019	183523-023	183523-026
2	Anode Rod - XVGL Only	----	183523-023	----
3	Burner Assembly - Natural Gas - GVG Only	----	183222-002	183222-038
3	Burner Assembly - Propane Gas - GVG Only	----	183222-003	183222-039
3	Burner Assembly - Natural Gas - GVGL/XVGL Only	183222-034	183222-036	----
3	Burner Assembly - Propane Gas - GVGL/XVGL Only	183222-035	183222-037	----
4	Burner Head with Door Insulation - Natural Gas	183504-000	183504-000	183504-000
4	Burner Head with Door Insulation - Propane Gas - GVG Only	----	182730-000	182730-000
4	Burner Head with Door Insulation - Propane Gas - GVGL/XVGL Only	183325-000	183325-000	----
5	Burner Orifice with Door Insulation - Natural Gas - GVG Only	----	181508-037	181508-037
5	Burner Orifice with Door Insulation - Propane Gas - GVG Only	----	181791-052	181791-053
5	Burner Orifice with Door Insulation - Natural Gas - GVGL/XVGL Only	181508-038	181508-036	----
5	Burner Orifice with Door Insulation - Propane Gas - GVGL/XVGL Only	181791-053	181791-051	----
6	Burner Tube w/Rubber Boot & Door Insul. - Natural Gas - GVG Only	----	184823-000	184823-001
6	Burner Tube w/Rubber Boot & Door Insul. - Propane Gas - GVG Only	----	184825-000	184825-001
6	Burner Tube w/Rubber Boot & Dr Insul. - Nat. Gas - GVGL /XVGL Only	183163-001	183163-003	----
6	Burner Tube w/Rubber Boot & Dr Insul. - Prop. Gas - GVGL/XVGL Only	183450-001	183450-003	----
7	Draft Hood - GVG Only	----	183851-000	183851-000
7	Draft Hood - GVGL/XVGL Only	183852-000	183852-000	----
8	Drain Valve - Brass	026273-003	026273-003	026273-003
9	Flue Baffle Assembly - GVG Only	----	182974-000	184252-000
9	Flue Baffle Assembly - GVGL/XVGL Only	184819-000	183618-000	----
10	Flue Restrictor - GVGL/XVGL Only	034894-000	034894-000	----
11	Gas Control Valve - Natural Gas	182791-004	182791-004	182791-004
11	Gas Control Valve - Propane Gas	182792-000	182792-000	182792-000
12	Heat Trap Assembly	184792-003	184792-003	184792-003
13	Inlet Tube Assembly - GVG Only	----	183900-033	183900-038
13	Inlet Tube Assembly - GVGL/XVGL Only	183900-026	183900-024	----
14	Inner Door Gasket	183162-000	183162-000	183162-000
15	Inner Door with Door Insulation - GVG Only	----	183425-001	183425-000
15	Inner Door with Door Insulation - GVGL/XVGL Only	183425-001	183425-000	----
16*	Instruction Manual	184165-002	184165-002	184165-002
17	Outer Door	183458-000	183458-000	183458-000
18	Piezo Igniter Assembly	183798-000	183798-000	183798-000
19	Pilot Assembly w/Grommet & Door Insul. - Natural Gas - GVG Only	----	183824-190	183824-170
19	Pilot Assembly w/Grommet & Door Insul. - Propane Gas - GVG Only	----	183824-172	183824-172
19	Pilot Assembly w/Grommet & Dr Insul. - Nat. Gas - GVGL/XVGL Only	183824-190	183824-170	----
19	Pilot Assembly w/Grommet & Dr Insul. - Prop. Gas - GVGL/XVGL Only	183824-172	183824-172	----
20*	Pipe Insulation	181639-003	181639-003	181639-003
21	Secondary Anode with Heat Trap (optional)	184634-129	184634-133	184634-139
22*	Temperature-Pressure Relief Valve Insulation	183256-000	183256-000	183256-000
23	Temperature-Pressure Relief Valve	076527-000	076527-000	076527-000
24	Thermostat Shield (Optional)	191259-001	191259-001	191259-001
25	Viewport Assembly	184470-000	184470-000	184470-000
26	20" Dia. Aluminum Drain Pan w/Side Drain (optional)	23912-A	23912-A	23912-A
26	22" Dia. Aluminum Drain Pan w/Side Drain (optional)	23913-A	23913-A	23913-A
26	28" Dia. Aluminum Drain Pan w/Side Drain (optional)	23914-A	23914-A	23914-A

*Not Illustrated.



5621 W. 115TH STREET • ALSIP, ILLINOIS 60803
 Phone: 1-800-433-2545 • Fax: 1-800-433-2515
 Website: www.hotwater.com • e-mail: parts@hotwater.com