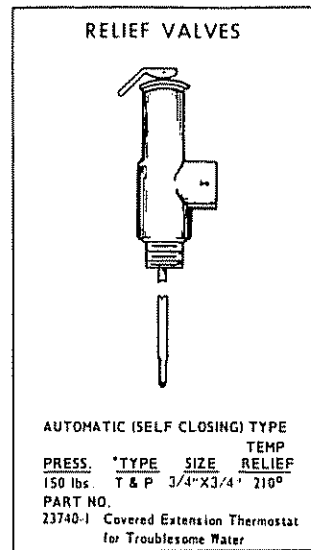
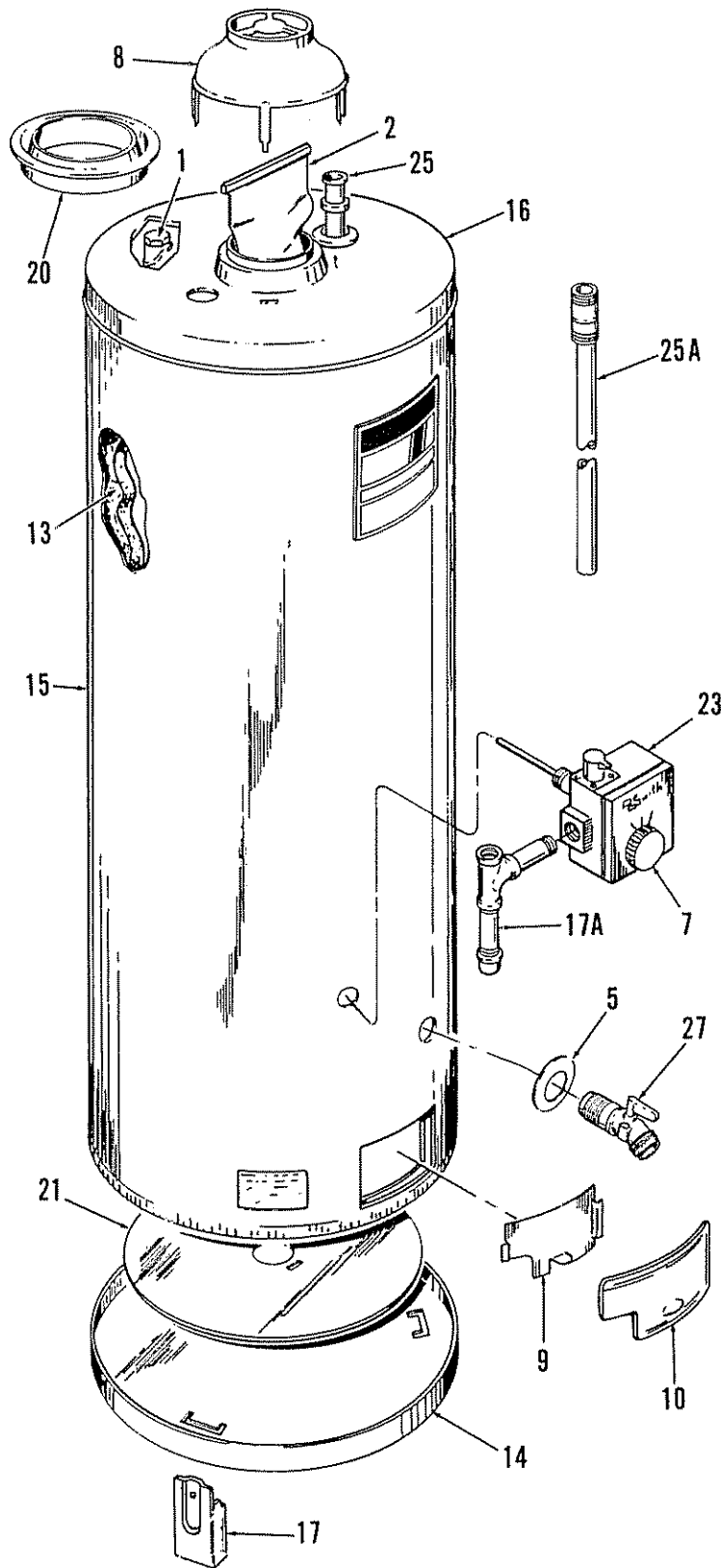
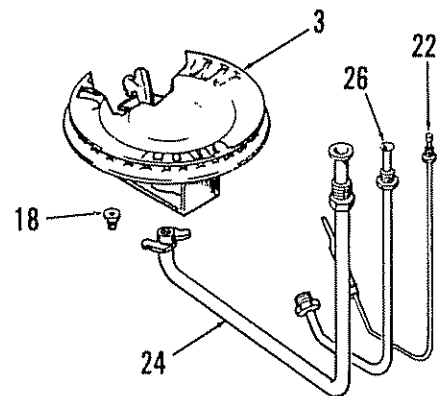


# GAS

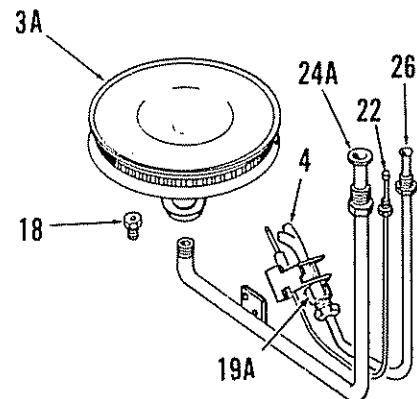
## RESIDENTIAL WATER HEATER PARTS LIST MODELS KGA/SG-30/40/50 AND KGL/SGL-30/40 SERIES 900 THRU 913



\*Temperature & Pressure



**NATURAL GAS ONLY**



**PROPANE GAS ONLY**

**A.O. SMITH**  
**WATER PRODUCTS**  
**COMPANY**

Item	Description	KGA,SG-30	KGL & SGL-30	KGL & SGL-40
		900 thru 913	KGA,SG-40 900 thru 913	KGA,SG-50 900 thru 913
1	Anode, Plug Type.....	43816-44	43816-42	43816-44
1	*Anode, Plug Type.....	- - - - -	43816-32	43816-35
2	Baffle, Flue.....	39616-26	39616-1	39616-25
2	*Baffle, Flue.....	- - - - -	40400-8	40400
3	Burner, Main W/Pilot (Nat. Gas).....	43980	43980	43980
3A	Burner, Main (Propane Gas).....	39608-1	39608-1	39608-1
4	Burner, Pilot (Propane Gas).....	160228-1	160228-1	160228-1
5	Collar, Pipe.....	20172-14	20172-14	20172-14
6	#Decal - Natural Gas.....	23709	23709	23709
7	Dial, Temperature.....	23961	23961	23961
8	Diverter.....	39664	39664	40370
8	*Diverter.....	- - - - -	39664	39664
9	Door, Inner.....	38040	38040	38040
10	Door, Outer.....	38048-104	38048-104	38048-105
13	Insulation.....	160193	160193-1	160193-2
13	*Insulation.....	- - - - -	160193-7	160193-8
14	Jacket Base.....	38060-101	38060-102	38060-103
15	Jacket, Outer.....	41725-1	41725-3	41725-5
15	*Jacket, Outer.....	- - - - -	41725-7	41725-9
16	Jacket Top.....	39762-118	39762-120	39604-120
16	*Jacket Top.....	- - - - -	39762-119	39762-121
17	Leg.....	38046-200	38046-200	38046-200
17A	Leg, Dirt (Propane Gas).....	43761	43761	43761
18	Orifice, Main:			
	Natural Gas.....	29366-32	29366-32	29366-32
	Propane Gas.....	29366-49	29366-49	29366-48
	*Propane Gas.....	- - - - -	29366-49	29366-49
19	#Orifice, Pilot (Natural Gas).....	24036	24036	24036
19A	Orifice, Pilot (Propane Gas).....	<u>21059</u>	<u>21059</u>	<u>21059</u>
20	*Restrictor, Flue.....	- - - - -	<u>39660</u>	<u>34894</u>
21	Shield, Radiation.....	38024-1	38024-2	38024-3
22	Thermocouple.....	<u>35489-4</u>	<u>35489-4</u>	<u>35489-4</u>
23	Thermostat:			
	W/E.C.O. & Comp. Reg. for			
	Natural Gas.....	<u>23736</u>	<u>23736</u>	<u>23736</u>
	W/E.C.O. & Comp. Reg. for			
	Propane Gas.....	<u>23808-1</u>	<u>23808-1</u>	<u>23808-1</u>
24	Tube, Burner (Natural Gas).....	<u>41246-1</u>	<u>41246-2</u>	<u>41246-3</u>
24A	Tube, Burner (Propane Gas).....	39555-5	39555-6	39555-7
25A	Tube, Inlet (900 & 903).....	40538-26	40538-27	40538-31
25A	*Tube, Inlet (900 & 903).....	- - - - -	40538-16	40538-26
25	Tube, Inlet (910 & 913).....	21062-26	21062-25	21062-31
25	*Tube, Inlet (910 & 913).....	- - - - -	21062-16	21062-26
26	Tube, Pilot.....	23330	23330	23330
27	Valve, Drain.....	42037	42037	42037-1

Standard hardware items may be purchased locally.

NOTE: Propane gas conversion parts not available.

#Not illustrated.

\*KGL & SGL Models only.

Except where indicated, KGL & SGL model parts are the same as Model KGA and SG.

NOTE: Underlined parts are recommended stock items for emergency replacement.

Consider gas used in your area only.