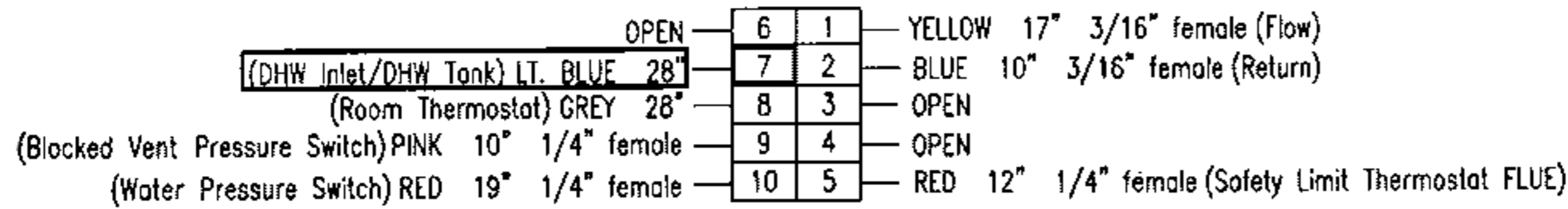


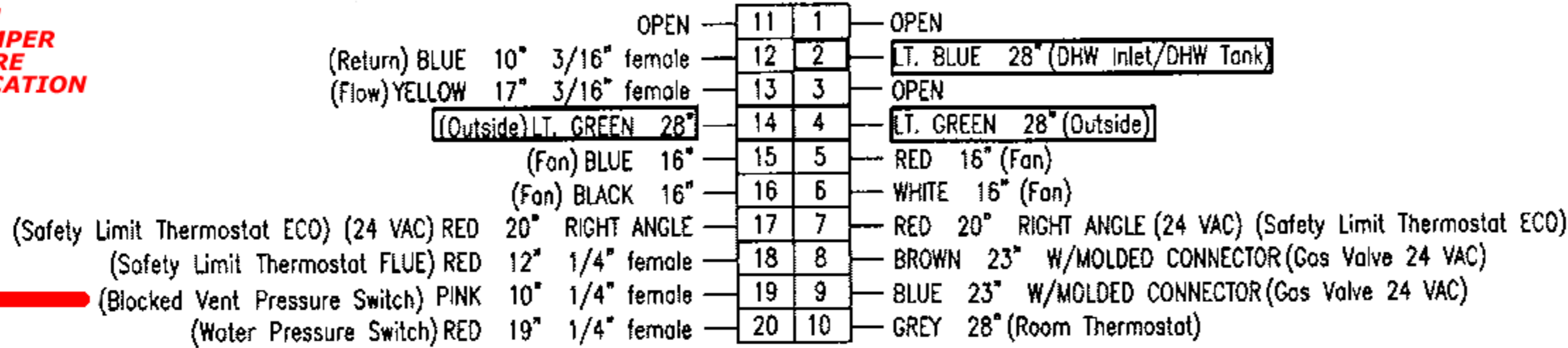
FLU JUMPER WIRE:

- Use this document if display is flashing FLU after installing new 926 Control Board.
- Units with Blocked Vent Pressure Switch have pink wires in position 9 on the X8 Molex Connector, and position 19 on the X4 Molex Connector.
- If those positions are empty, unit does not have a Blocked Vent Pressure Switch.
- Use red jumper wire in Control Board Upgrade Kit to bypass switch. Stick each end of wire into the designated locations, then push reset button on display to clear the FLU error code.
- If code clears, you have successfully installed the jumper wire.

X8

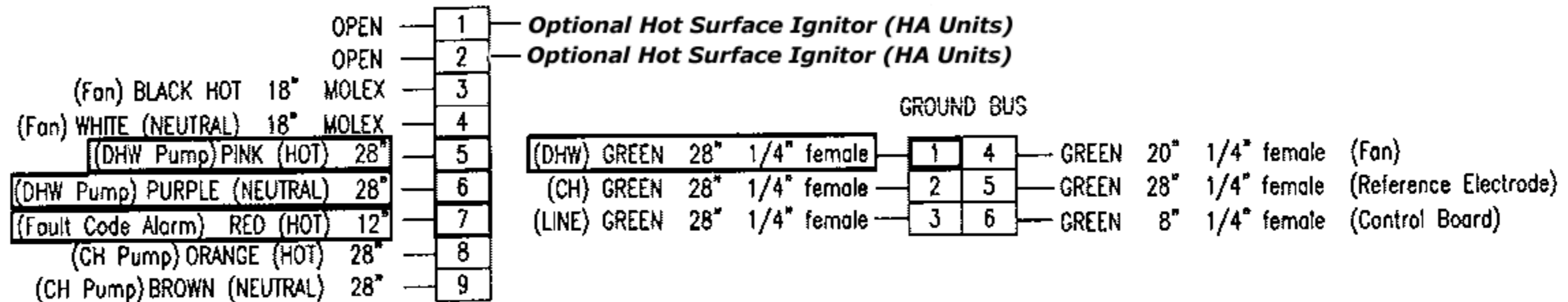


X4

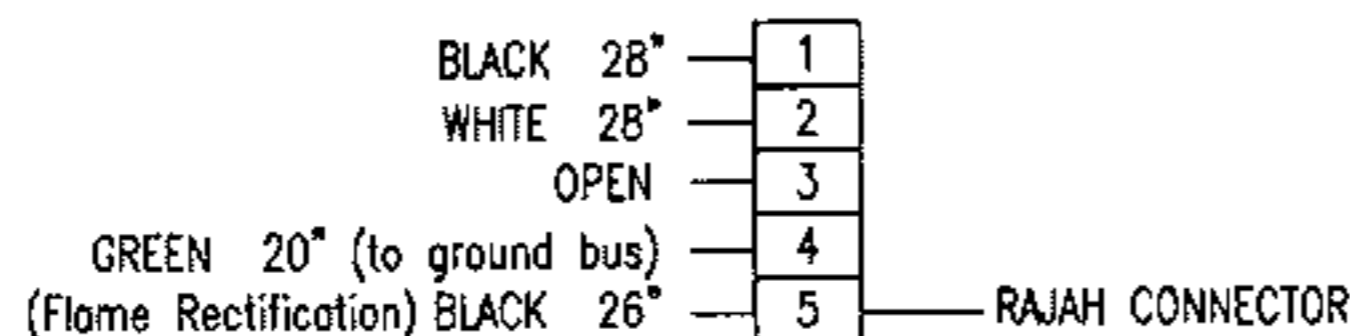


FLU
JUMPER
WIRE
LOCATION

X5



X6



NOTE: Vision One connections are outlined in black.